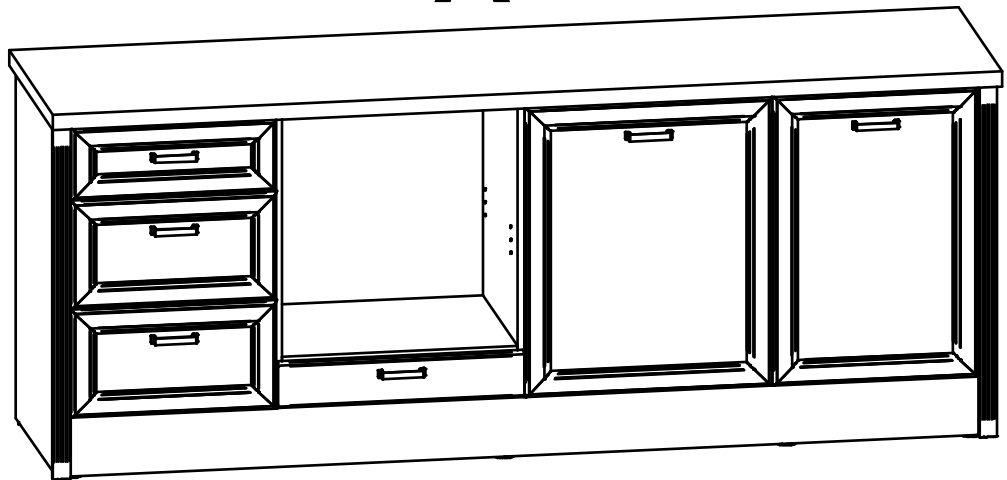
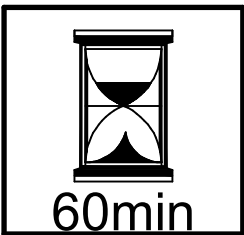
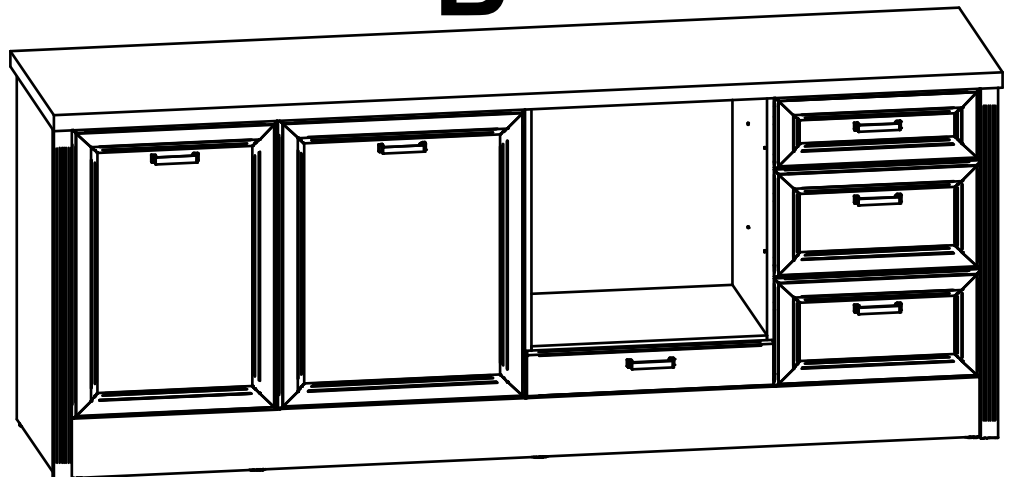


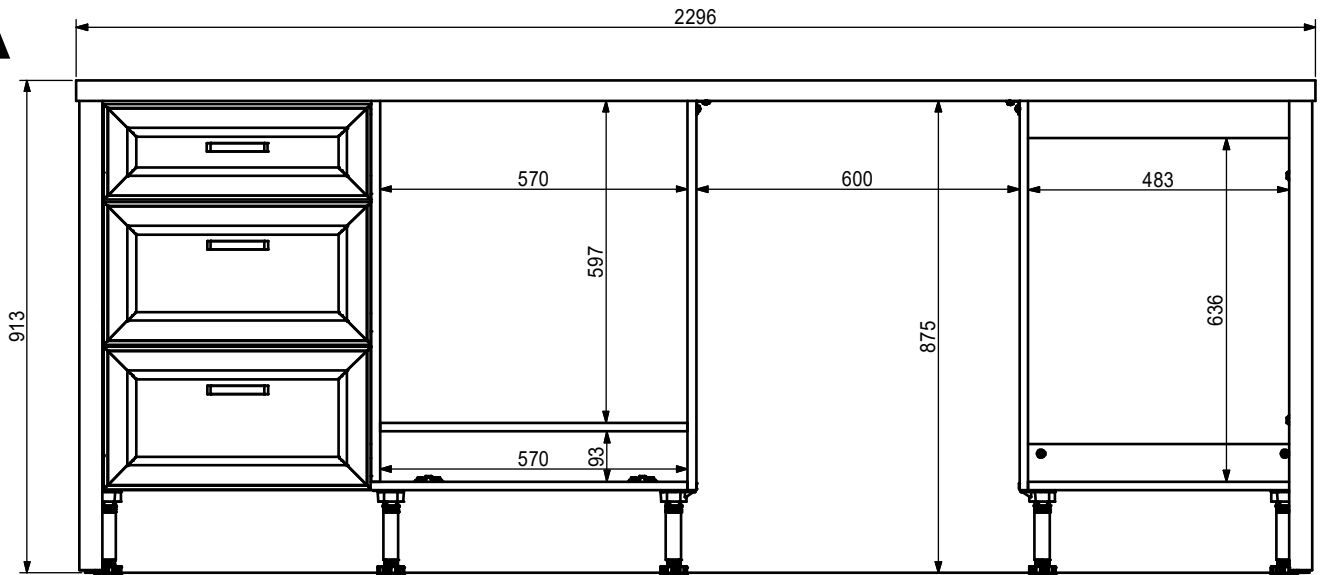
A



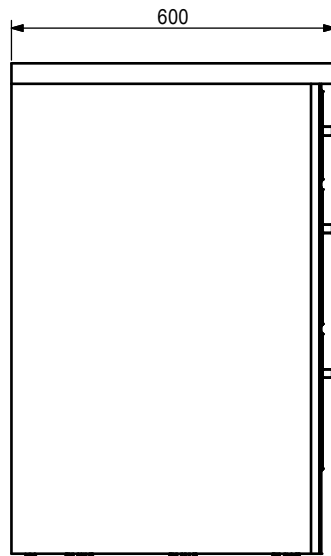
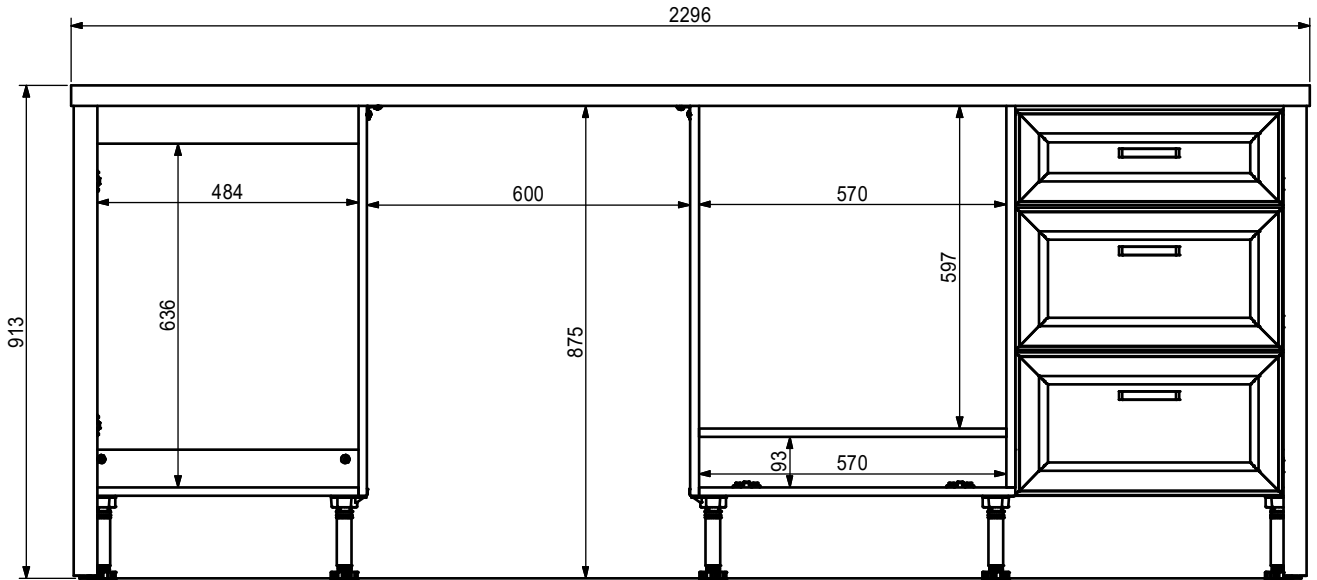
B



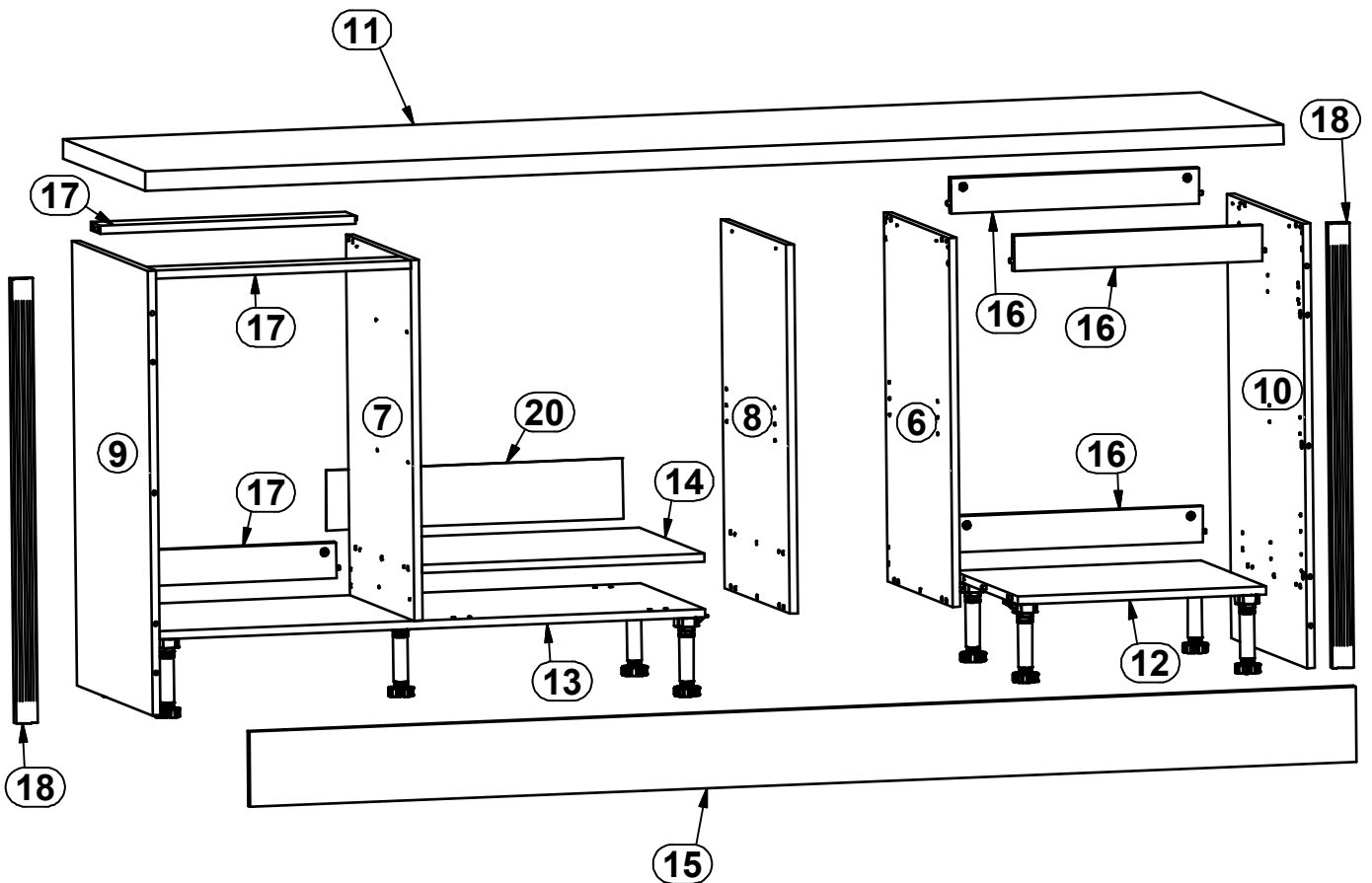
A

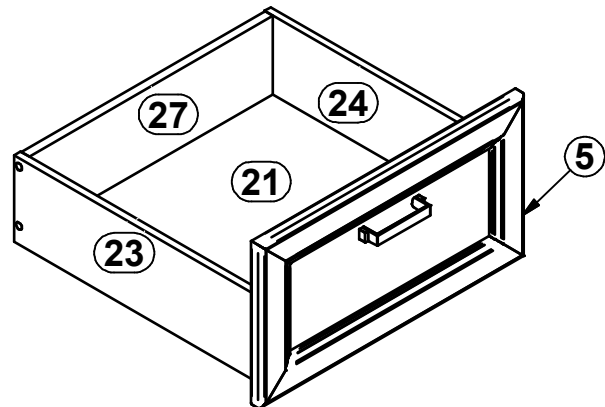
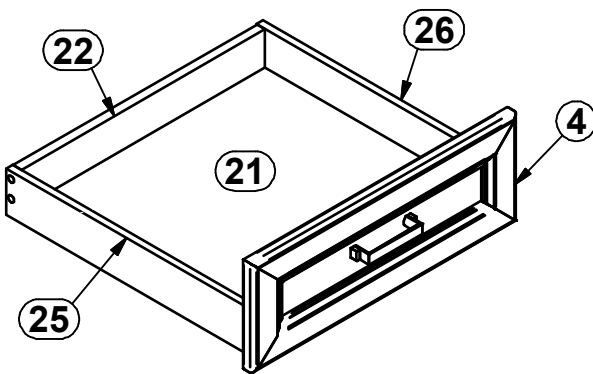
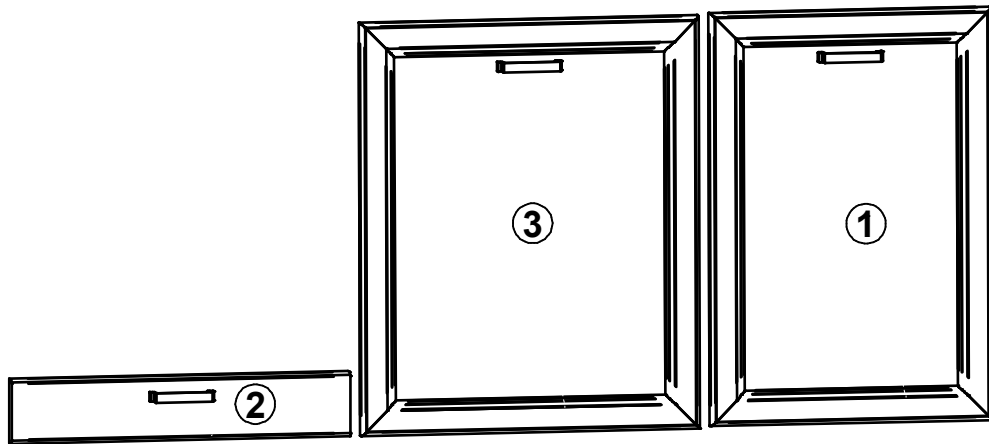


B



A	B	C1	C2	C3	D
1	S538-0015	713	495	22	113
2	S538-0008	596	112	22	113
3	S538-0003	713	595	22	113
4	S538-0013	495	177	22	113
5	S538-0014	495	264	22	113
6	S538-1003	722	475	16	213
7	S538-1019	706	475	16	213
8	S538-1020	722	475	16	213
9	S538-1021	870	555	16	113
10	S538-1022	870	555	16	113
11	S538-2009	2296	600	38	313
12	S538-3022	500	475	16	213
13	S538-3023	1100	475	16	213
14	S538-3024	570	475	16	313
15	S538-4009	2231	147	16	313
16	S538-4010	500	70	16	213
17	S538-4012	514	70	16	213
18	S538-5001	870	43	19	113
19	S538-9004	720	528	2.5	313
20	S538-9005	598	118	2.5	113
21	WSP-9416	466	458	2.5	213
22	ZQ6-5276	456	62	15	213
23	ZQ6-535	450	140	12	213
24	ZQ6-536	450	140	12	213
25	ZQ6-539	450	75	12	213
26	ZQ6-540	450	75	12	213
27	ZQ6-5277	456	127	15	213



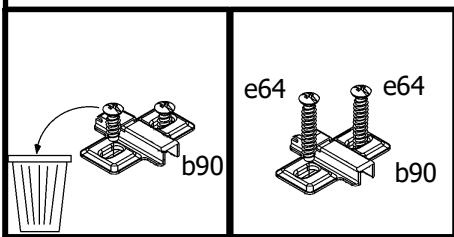
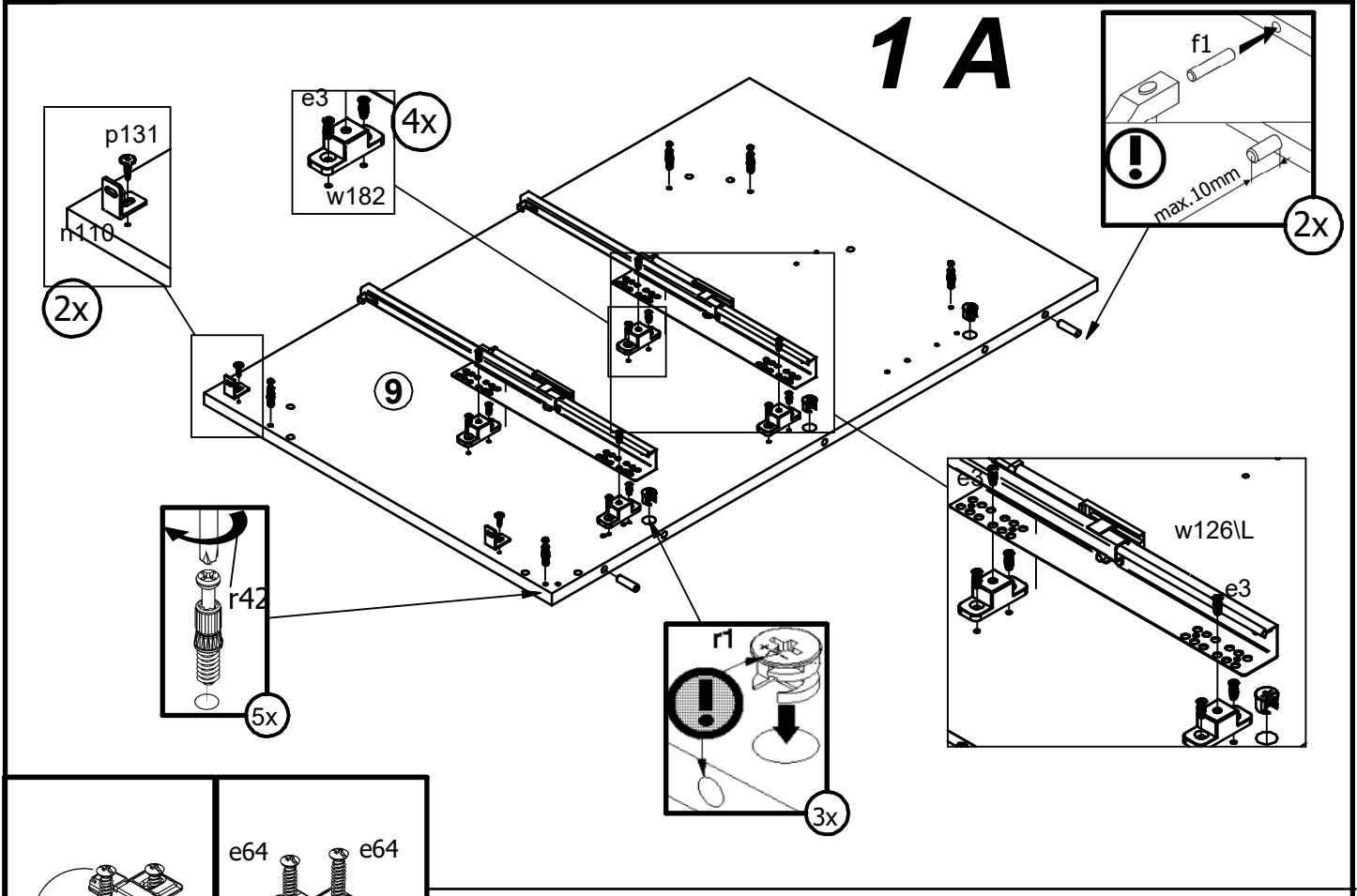


2x  a204	2x  a203
26x  Ø15x12 mm #16 r1	12x  Ø12x10,5 mm #12 r15
8x  Ø3,5x15 mm p51	26x  Ø2,9x16 mm p55
4x  k1	36x  Ø4x16 mm p69
12x  Ø6,5x40 mm f25	10x  M4x12 mm j3
4x  Ø6x26 mm e64	10x  25x25x16/2 h110
6x  c453	8x  Ø4x13 mm p28
1x  z1	20x  Ø4x16 mm p131
4x  b90	37x  Ø8x30 mm f1
2x  h=11 mm b95	6x  Ø7x50 mm e1

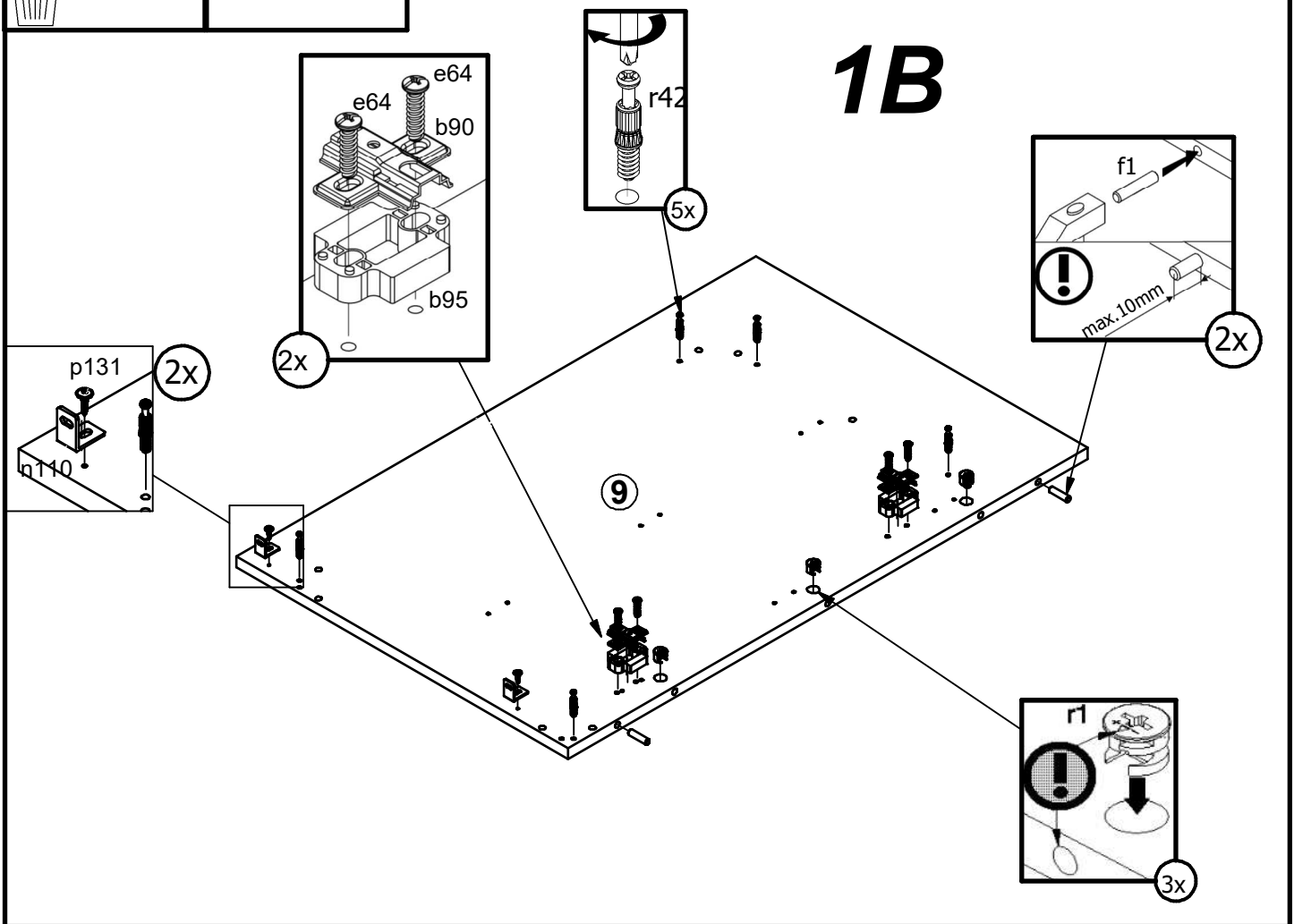
3x  450mm w126L	3x  450mm w126P	6x  w182	4x  Ø35x62x40x10 s71
9x  k6611	9x  k6615	9x  k6616	4x  k6618



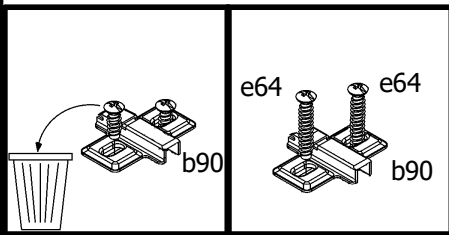
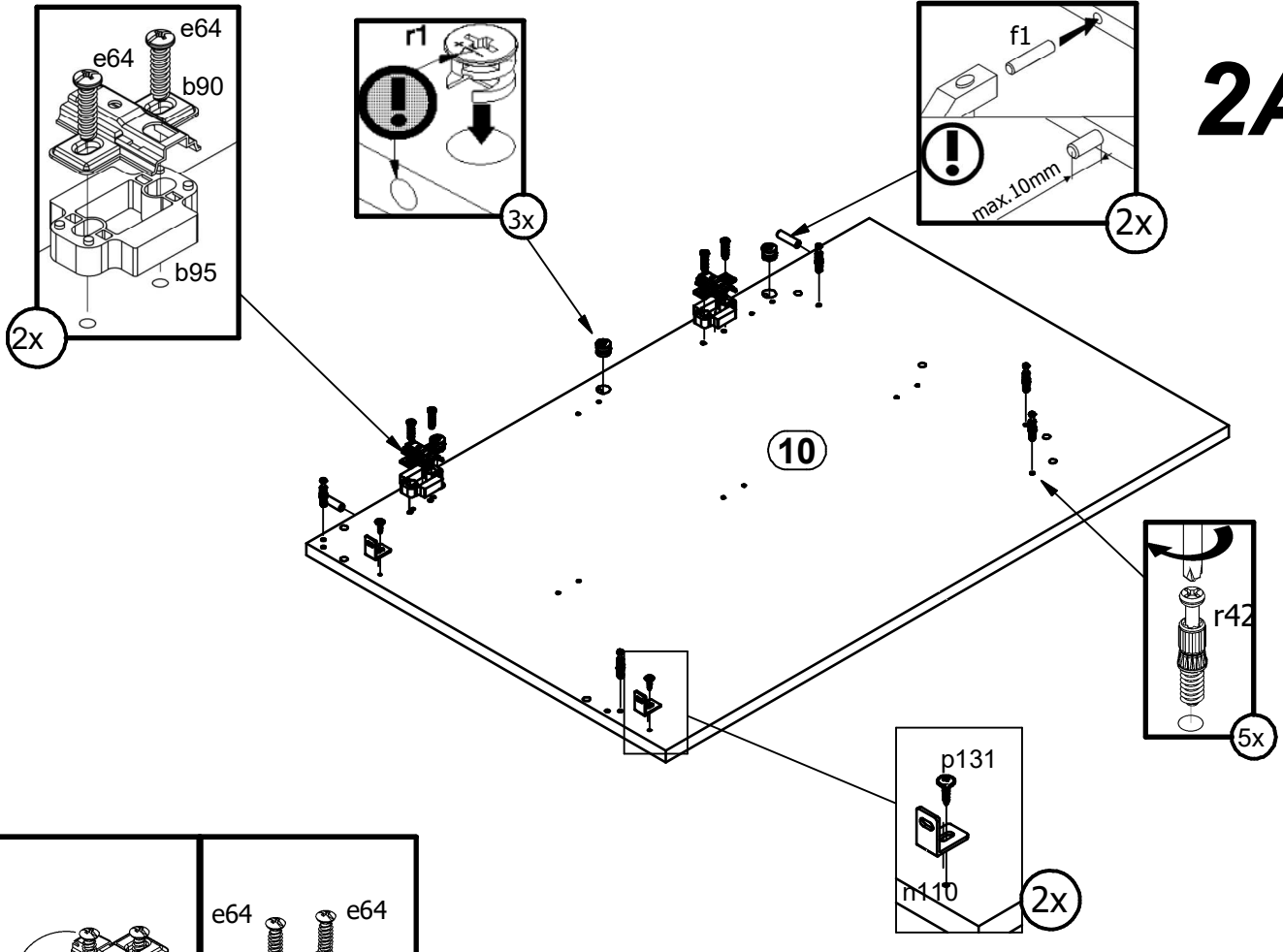
# 1 A



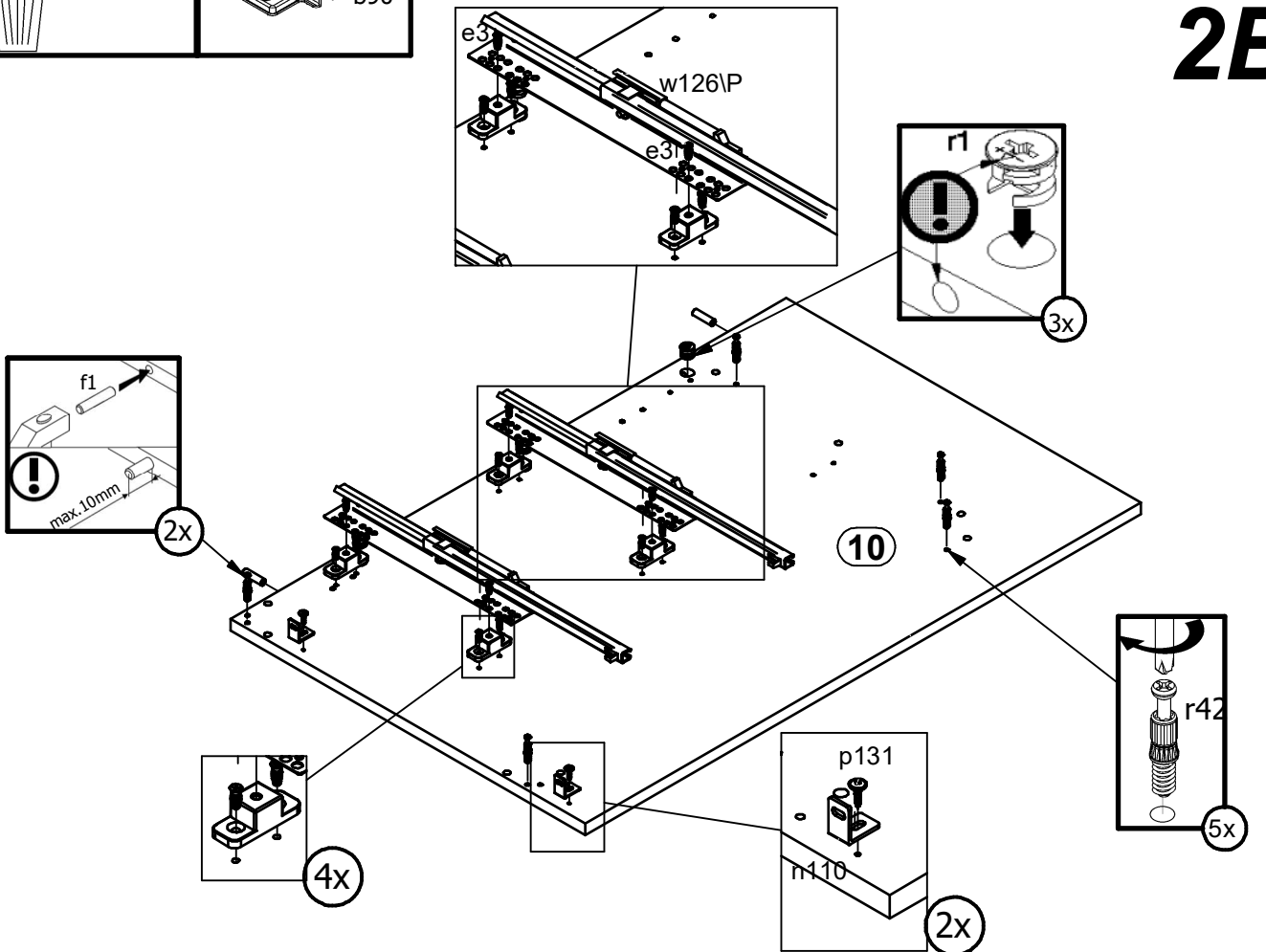
# 1 B



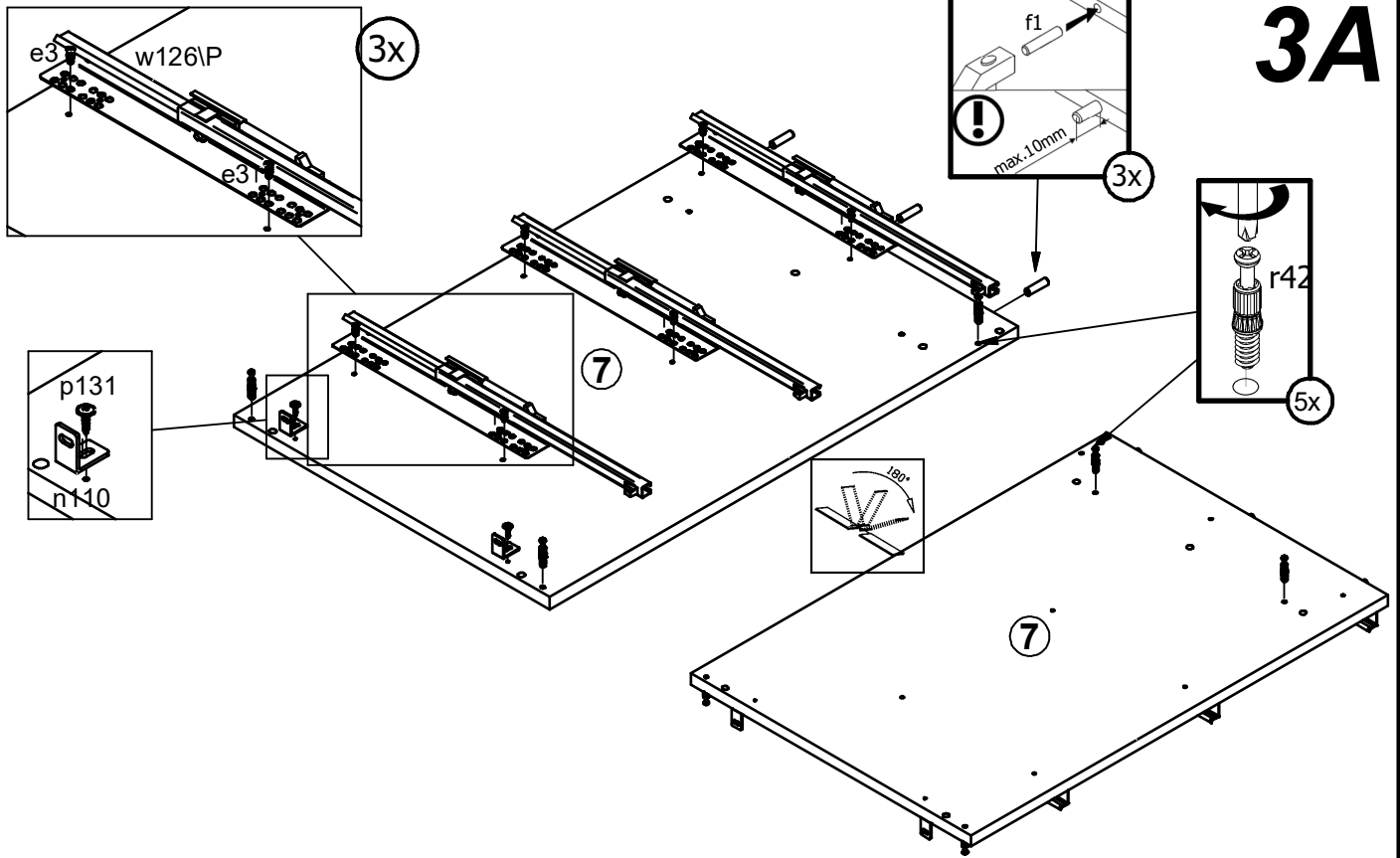
2A



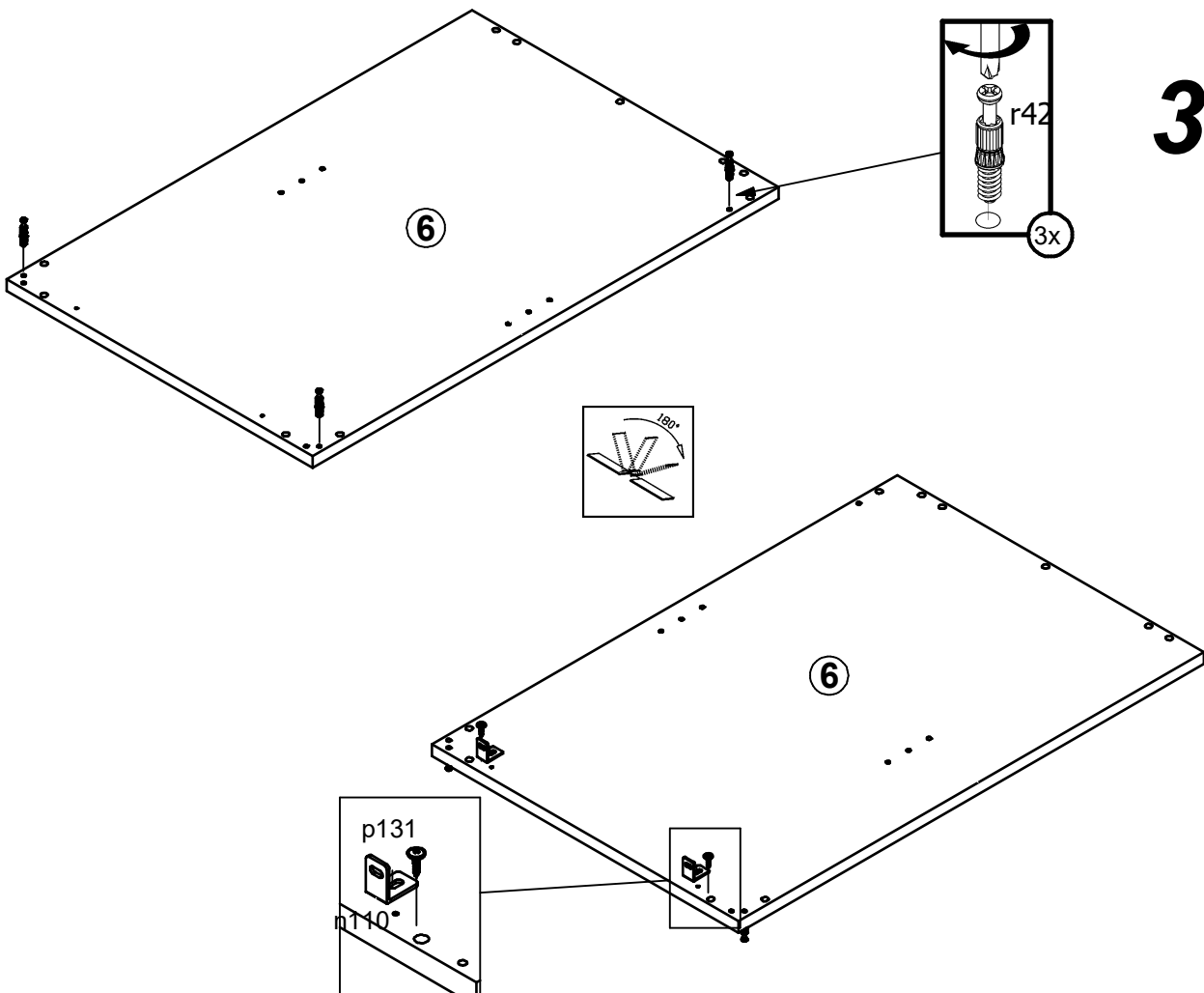
2B



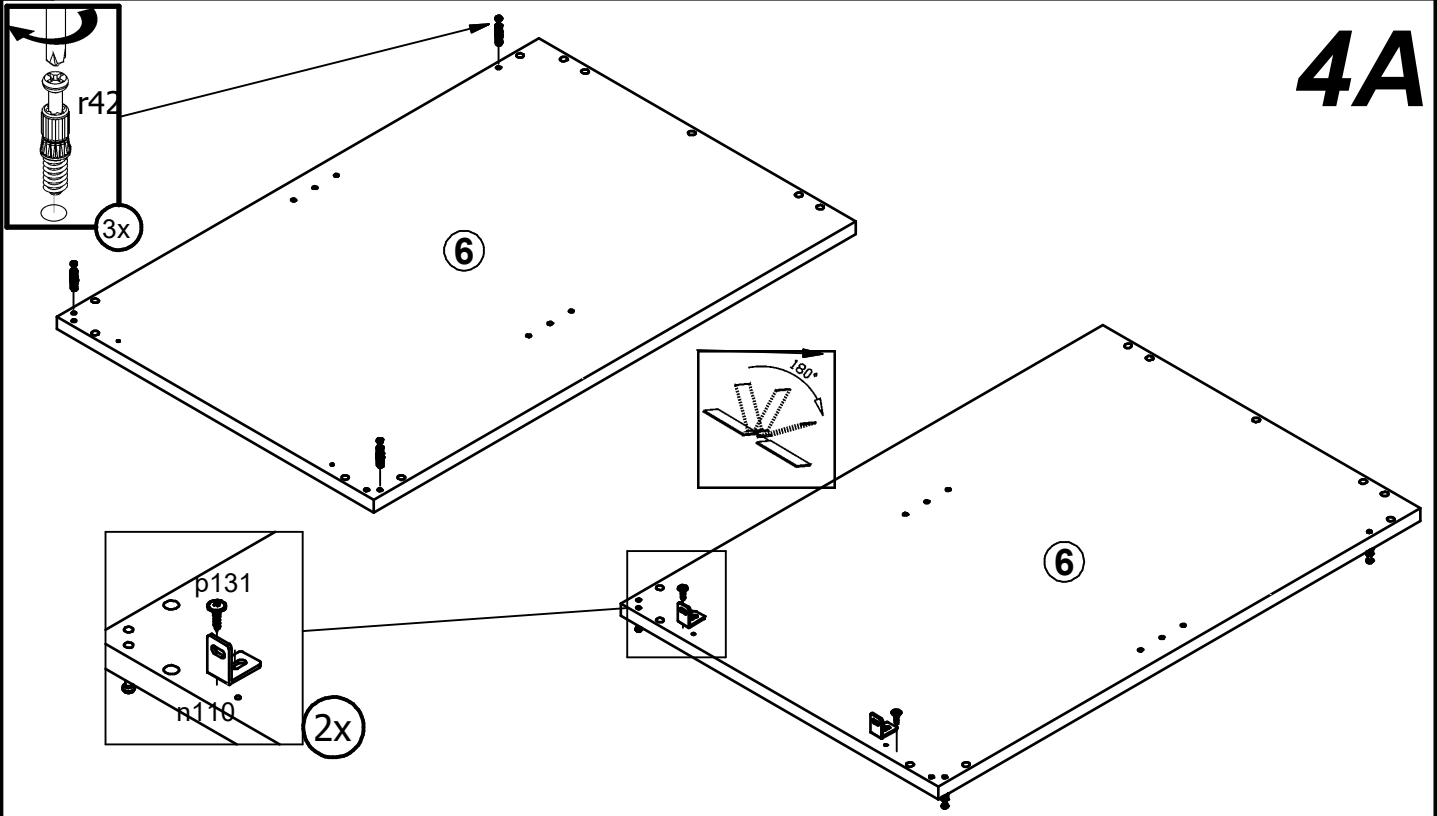
3A



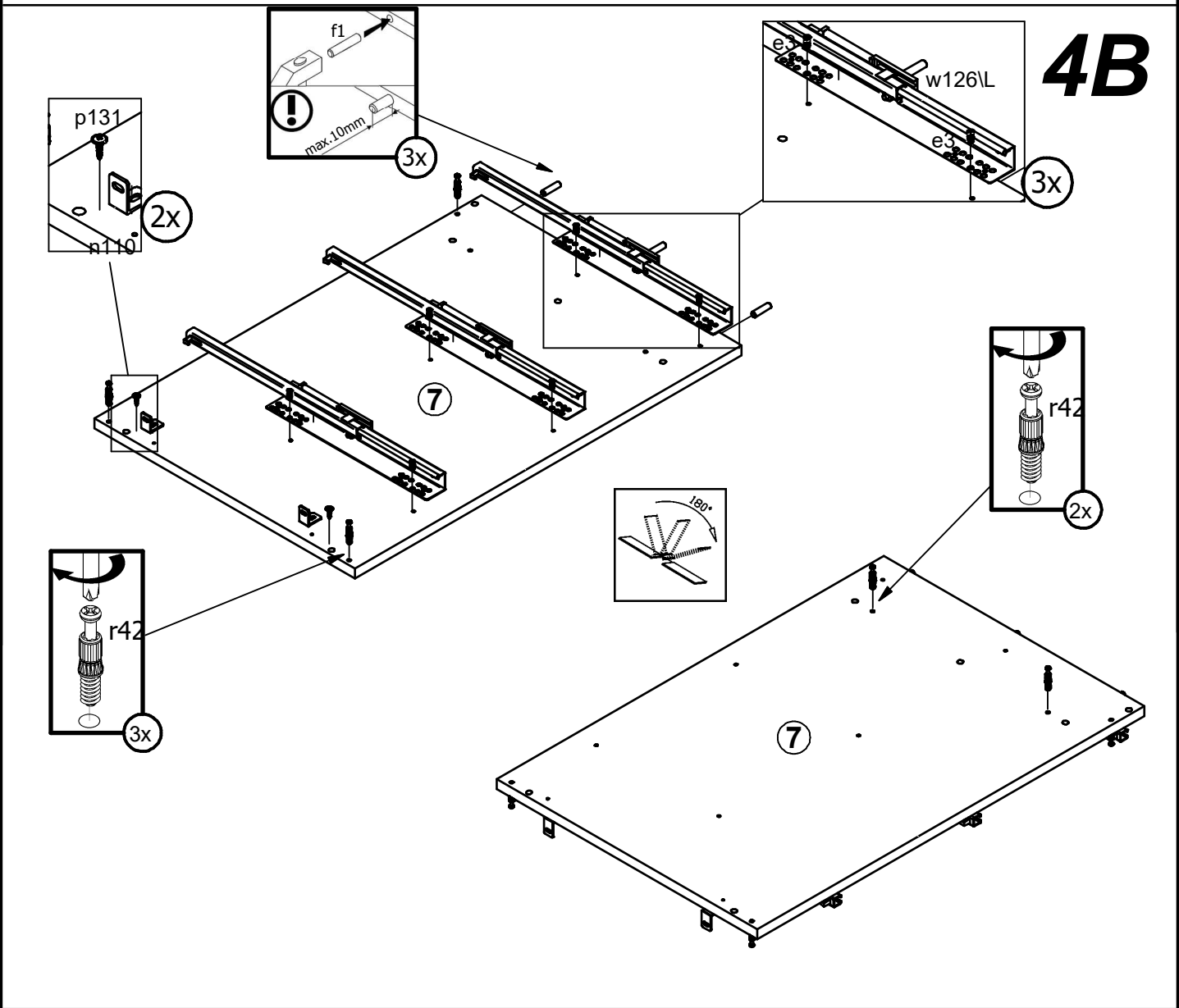
3B



4A



4B





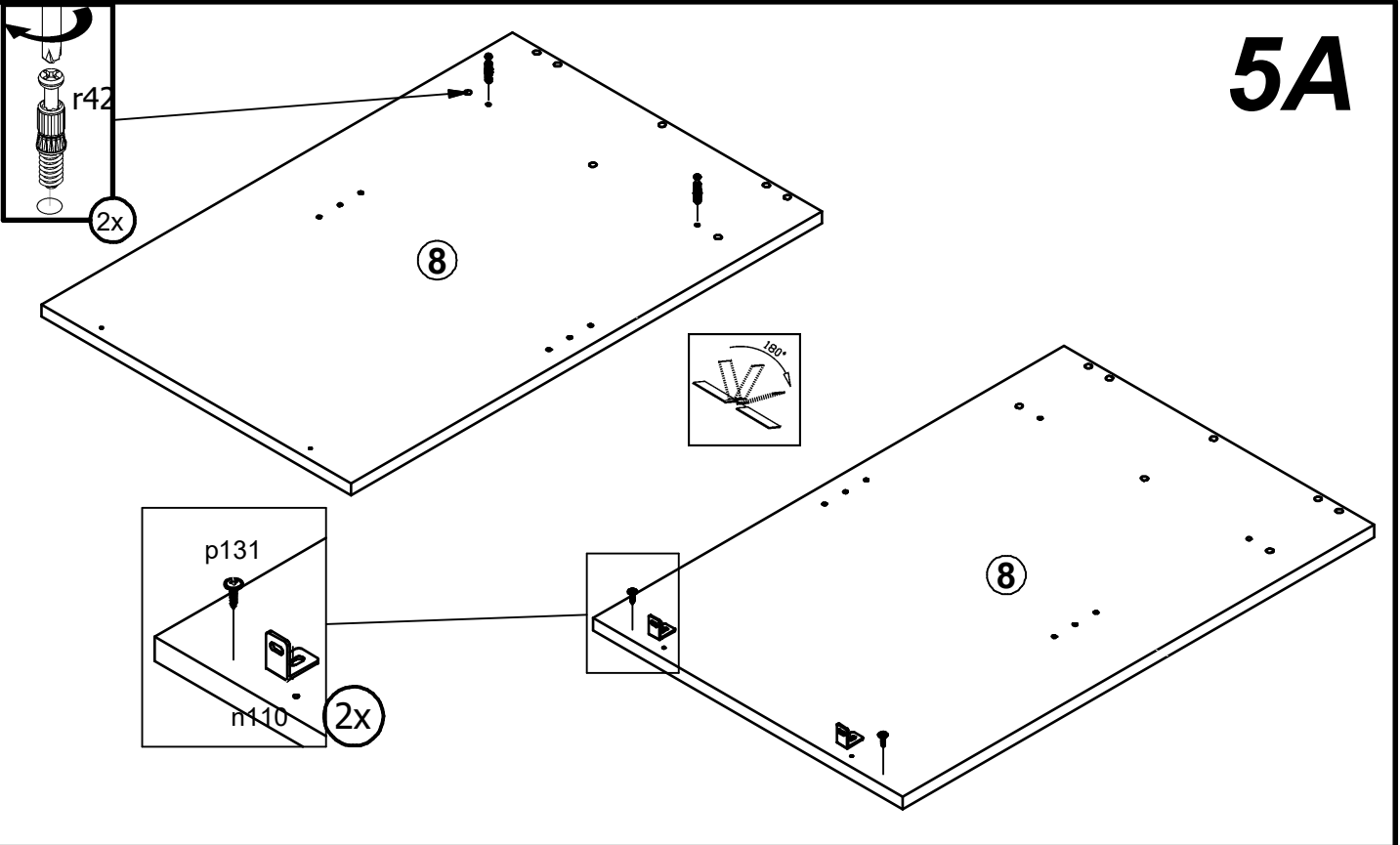
A

S538-SFK2D3S\_I

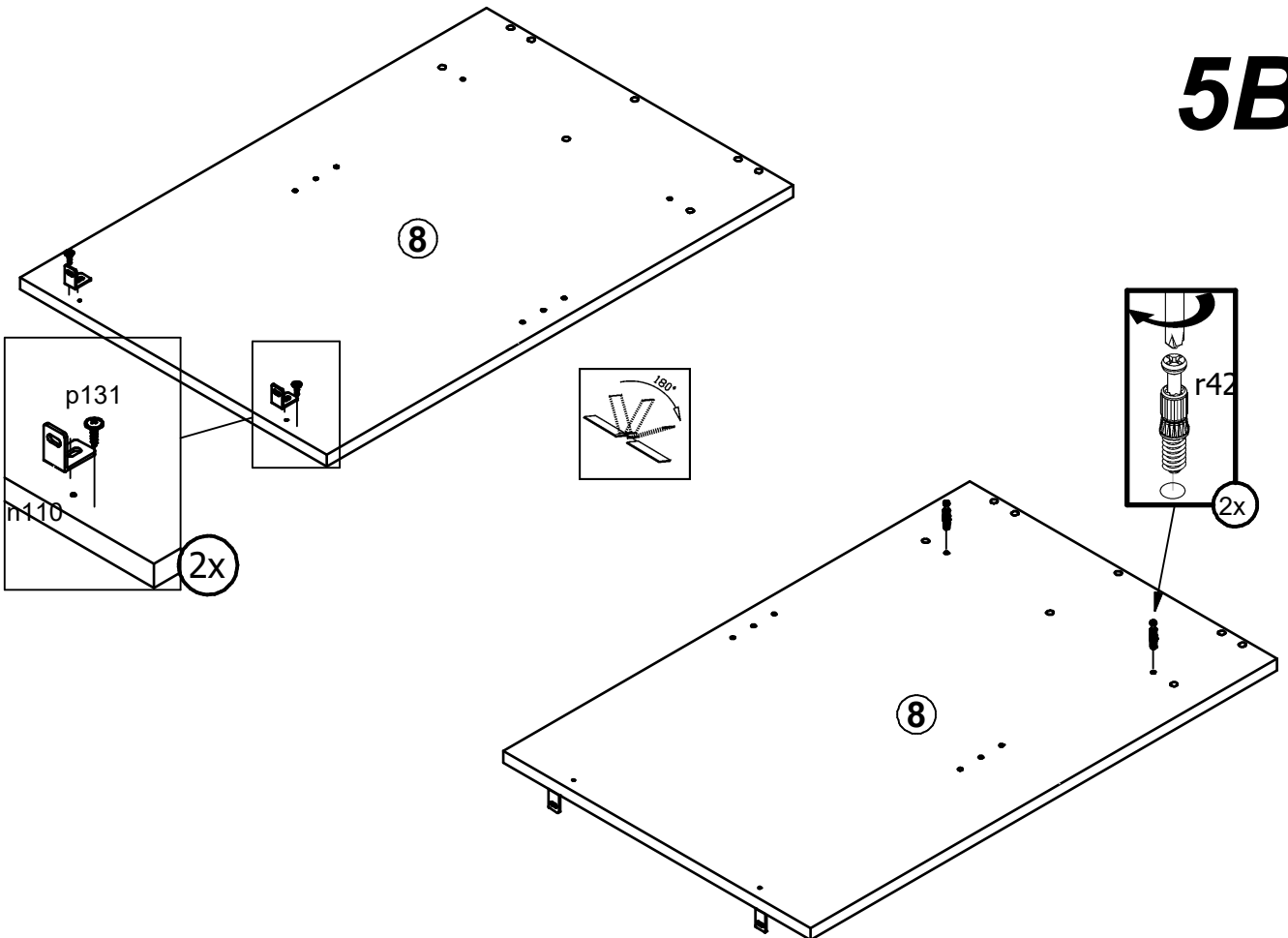
84-881---, 84-882---

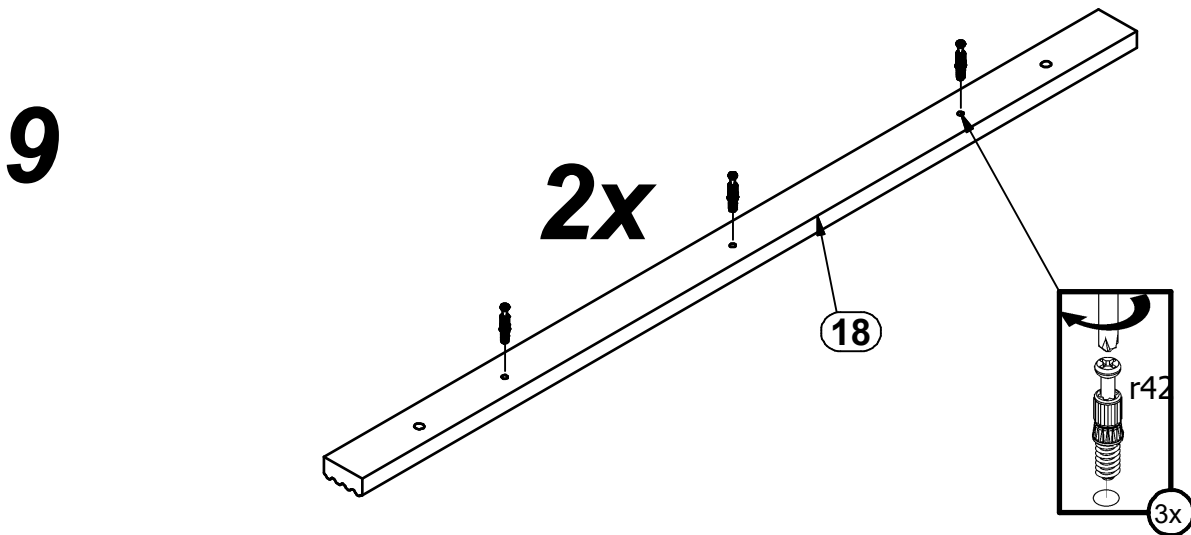
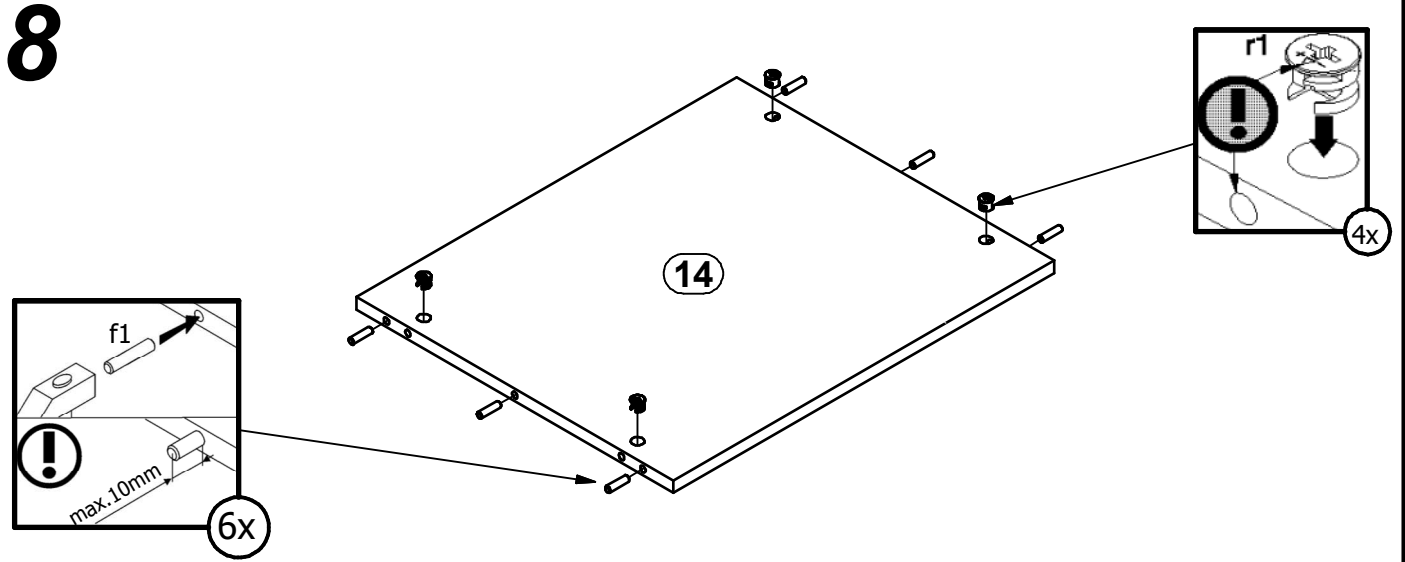
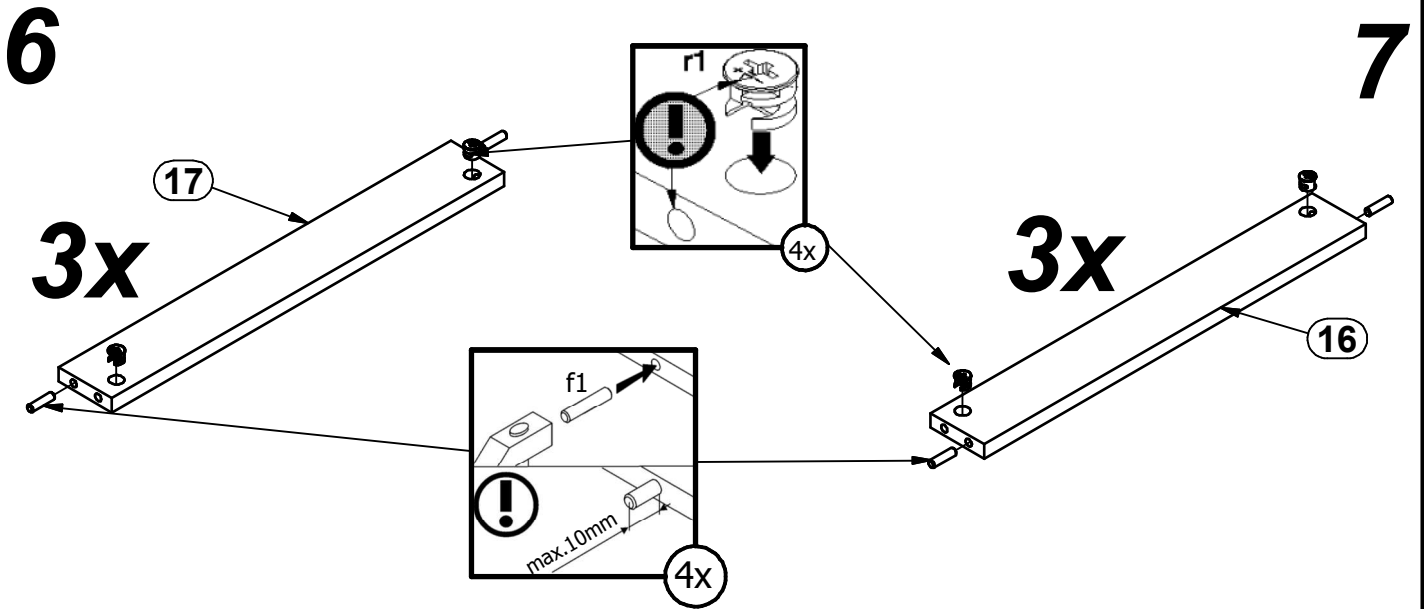
9 / 28

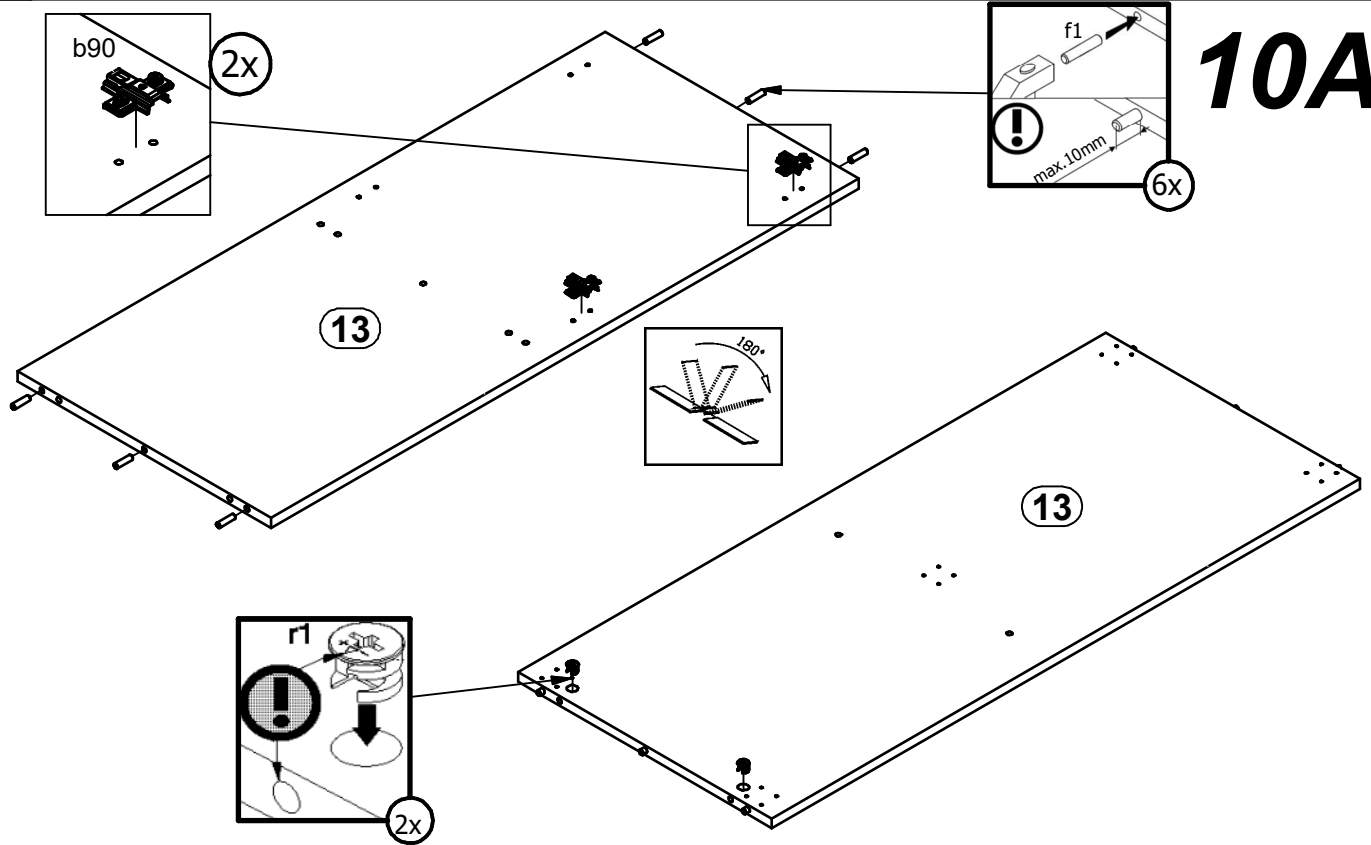
5A



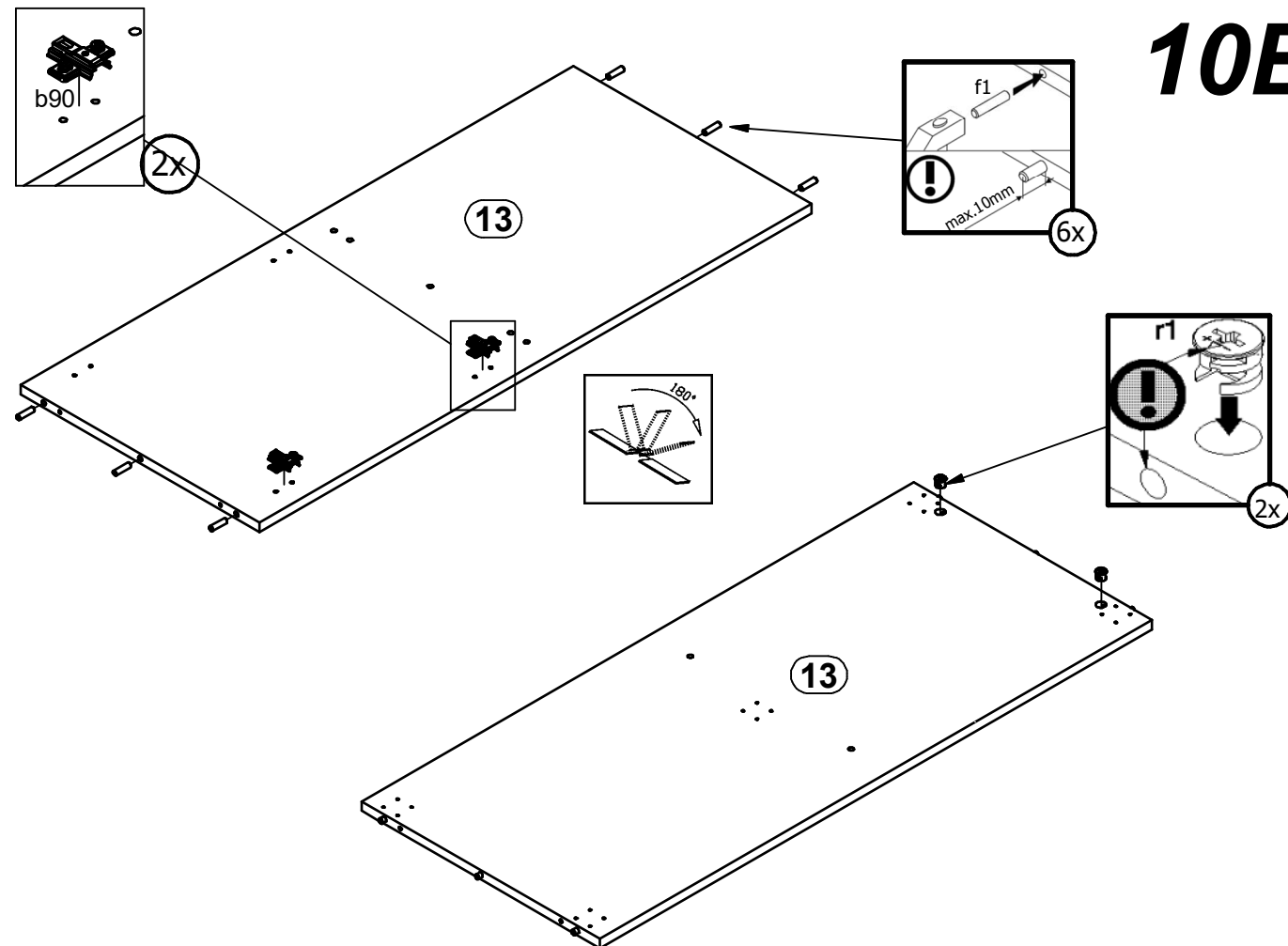
5B





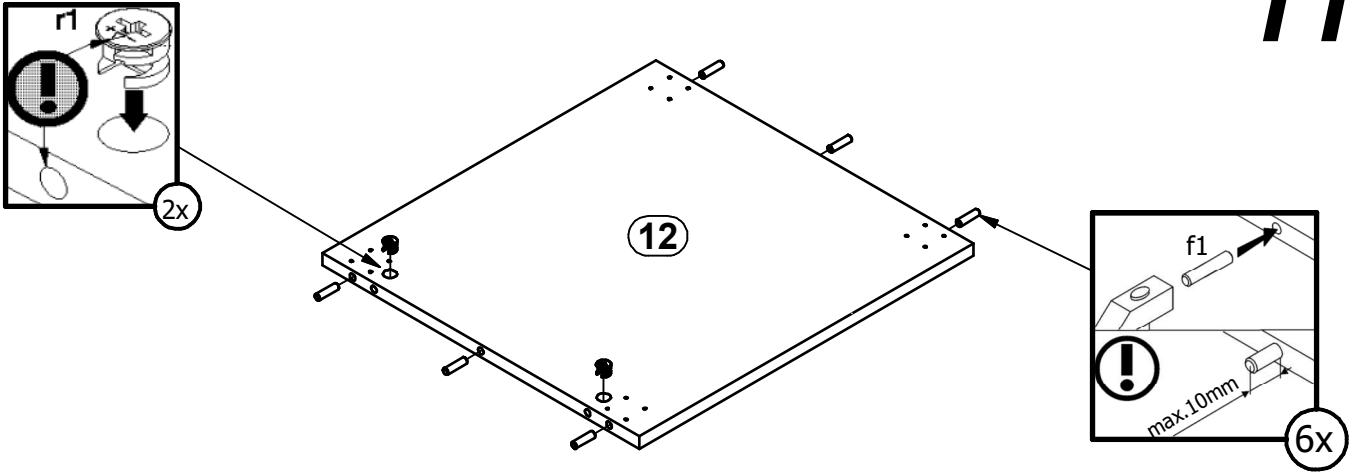


10A

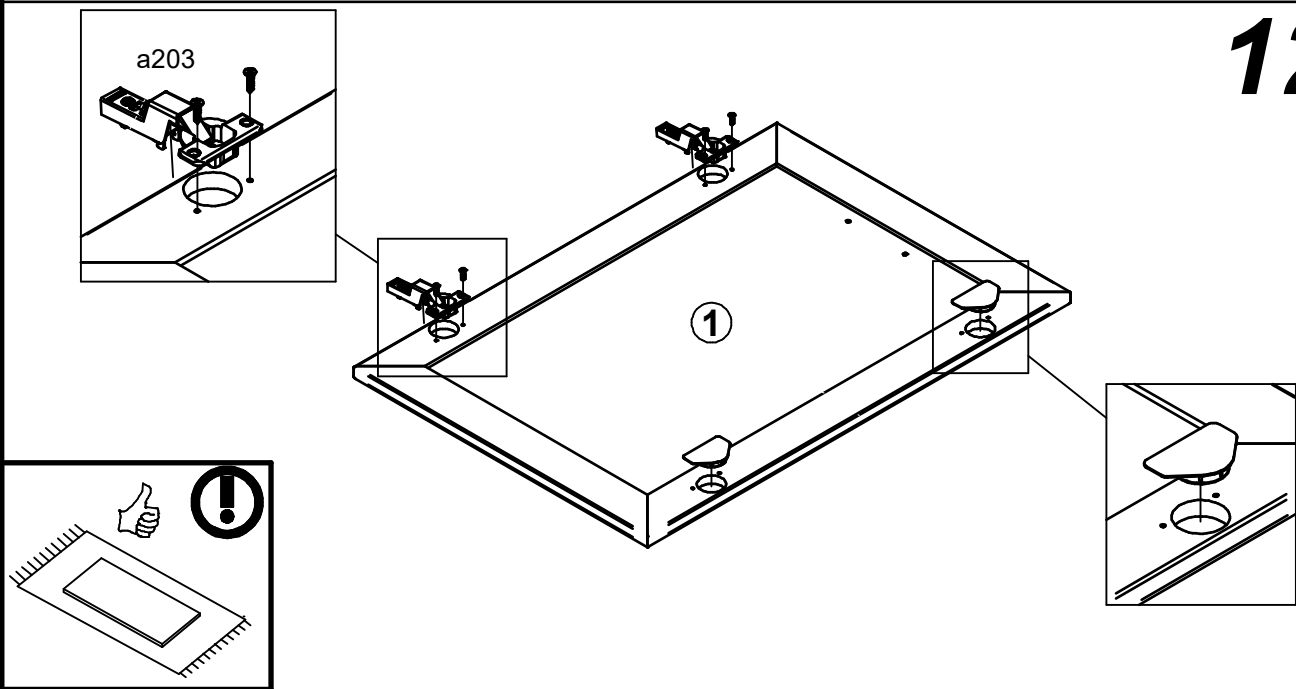


10B

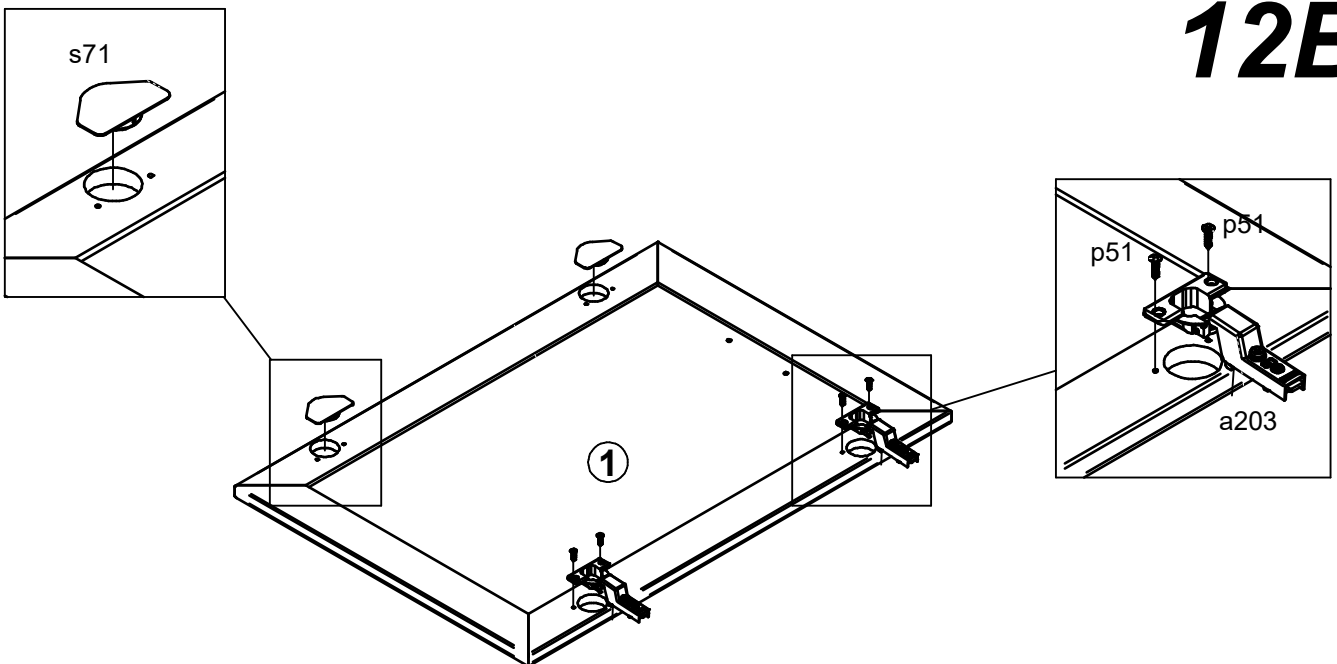
# 11



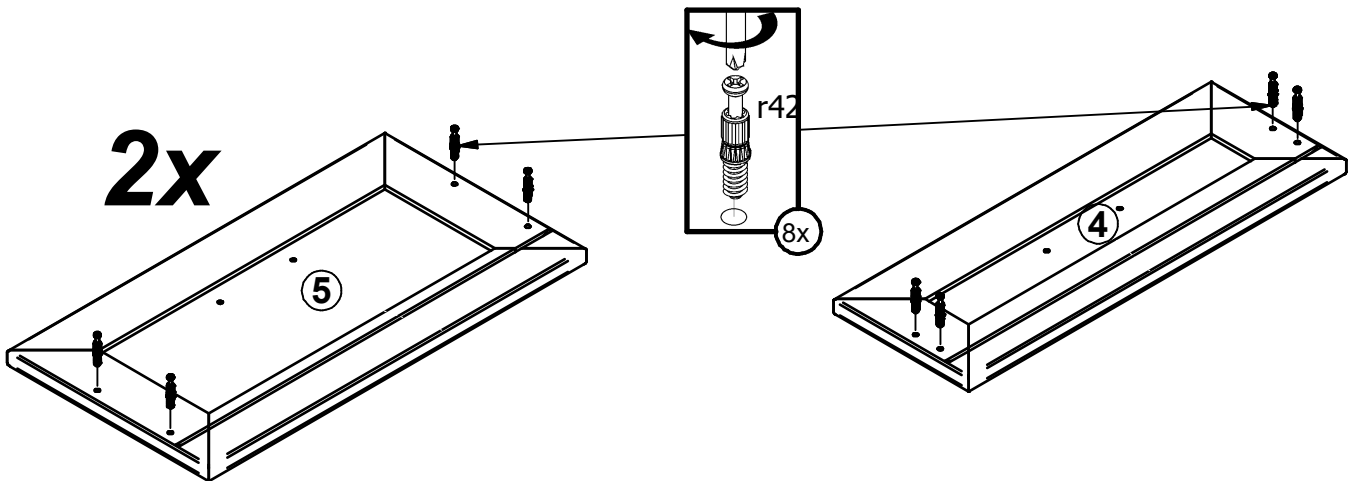
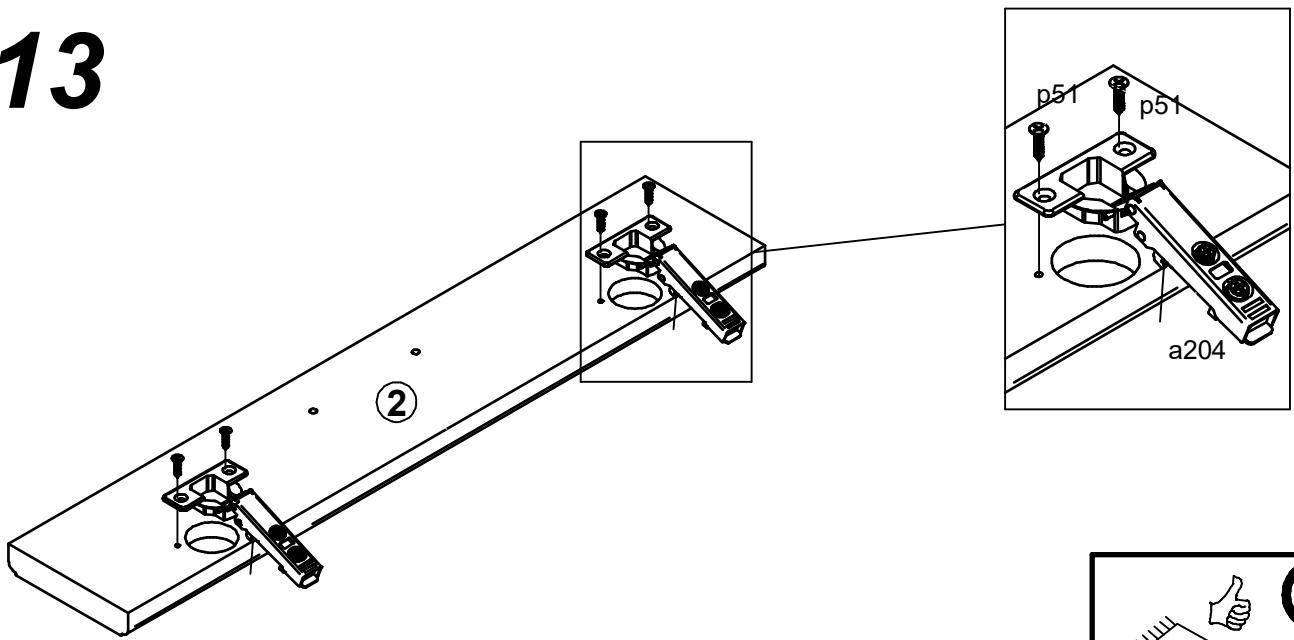
# 12A



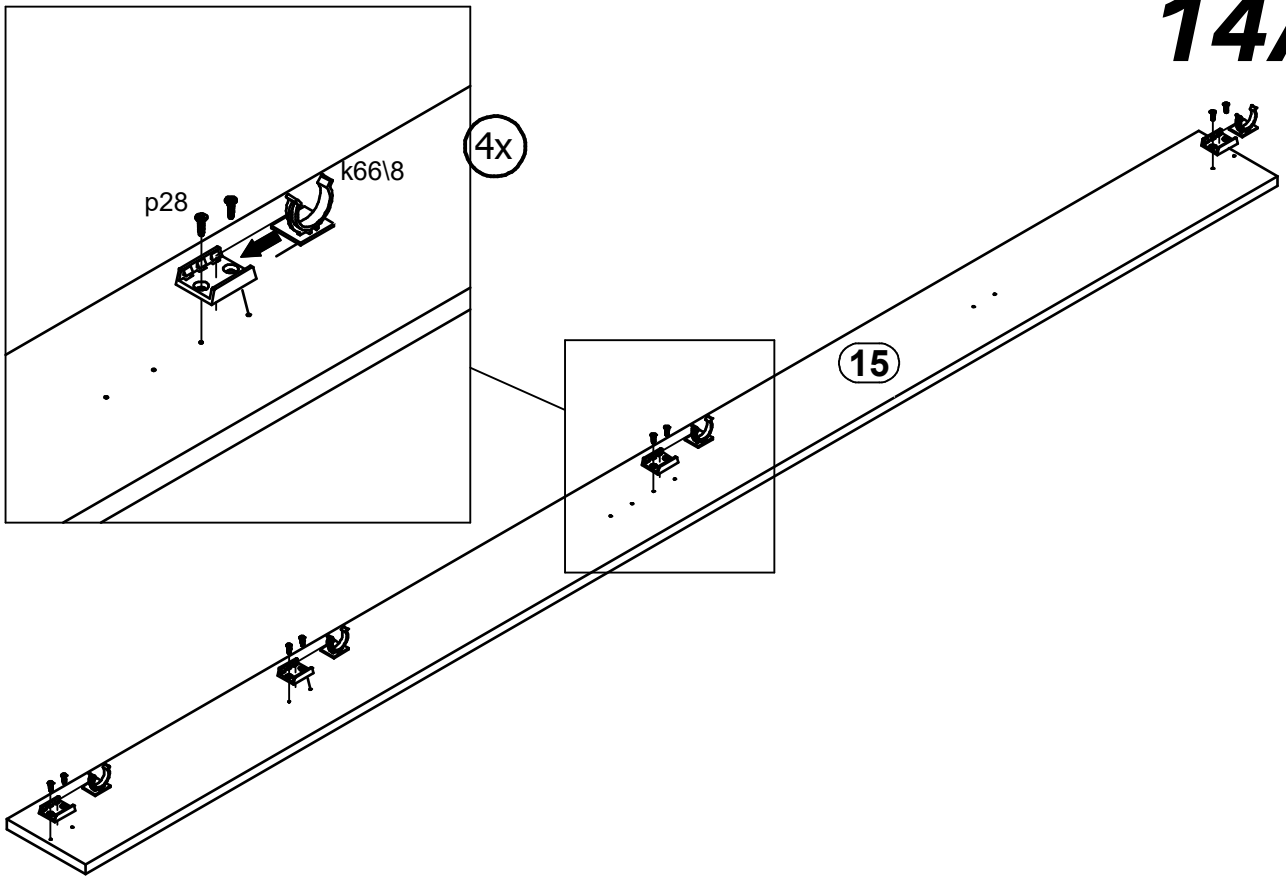
# 12B



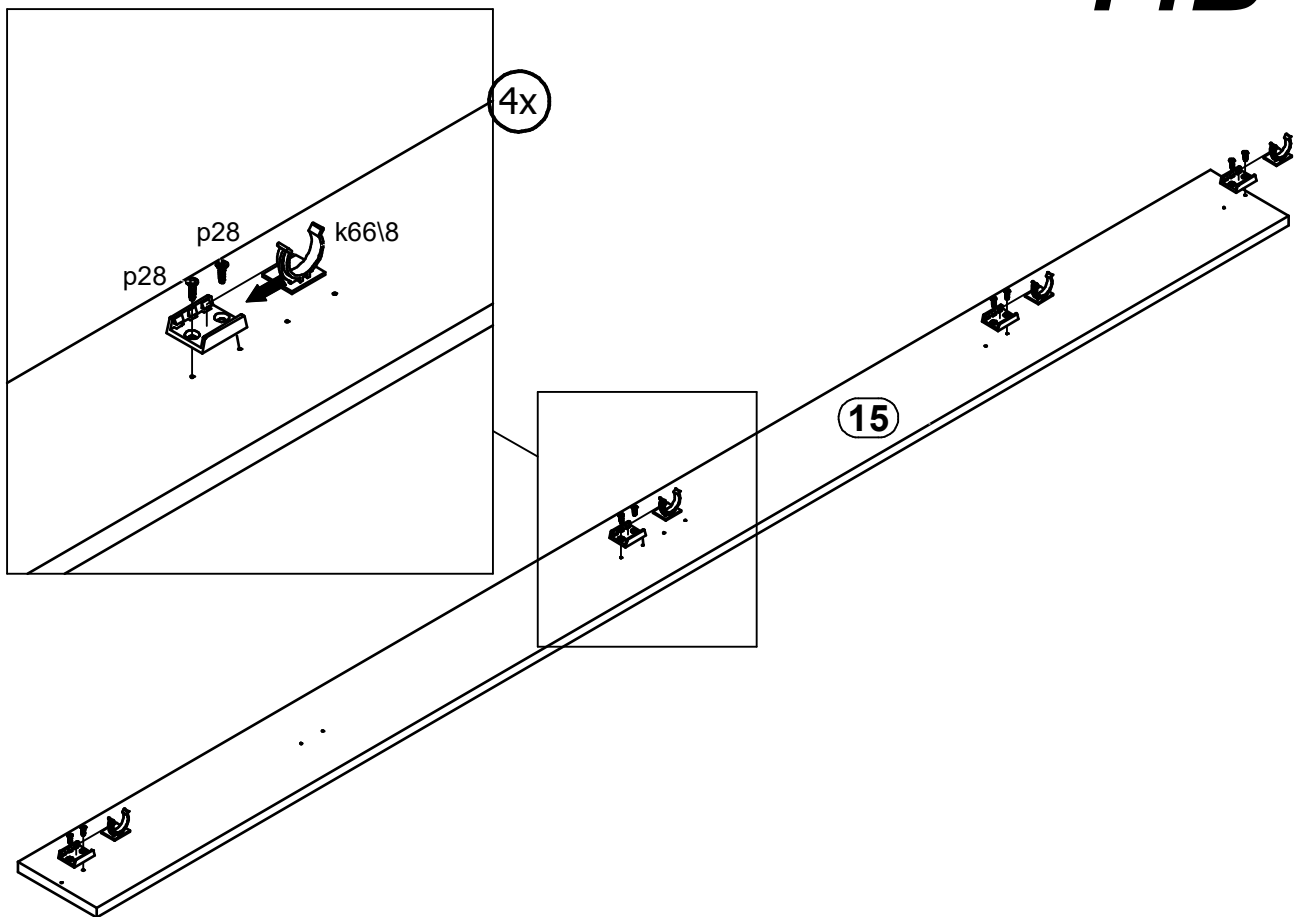
13



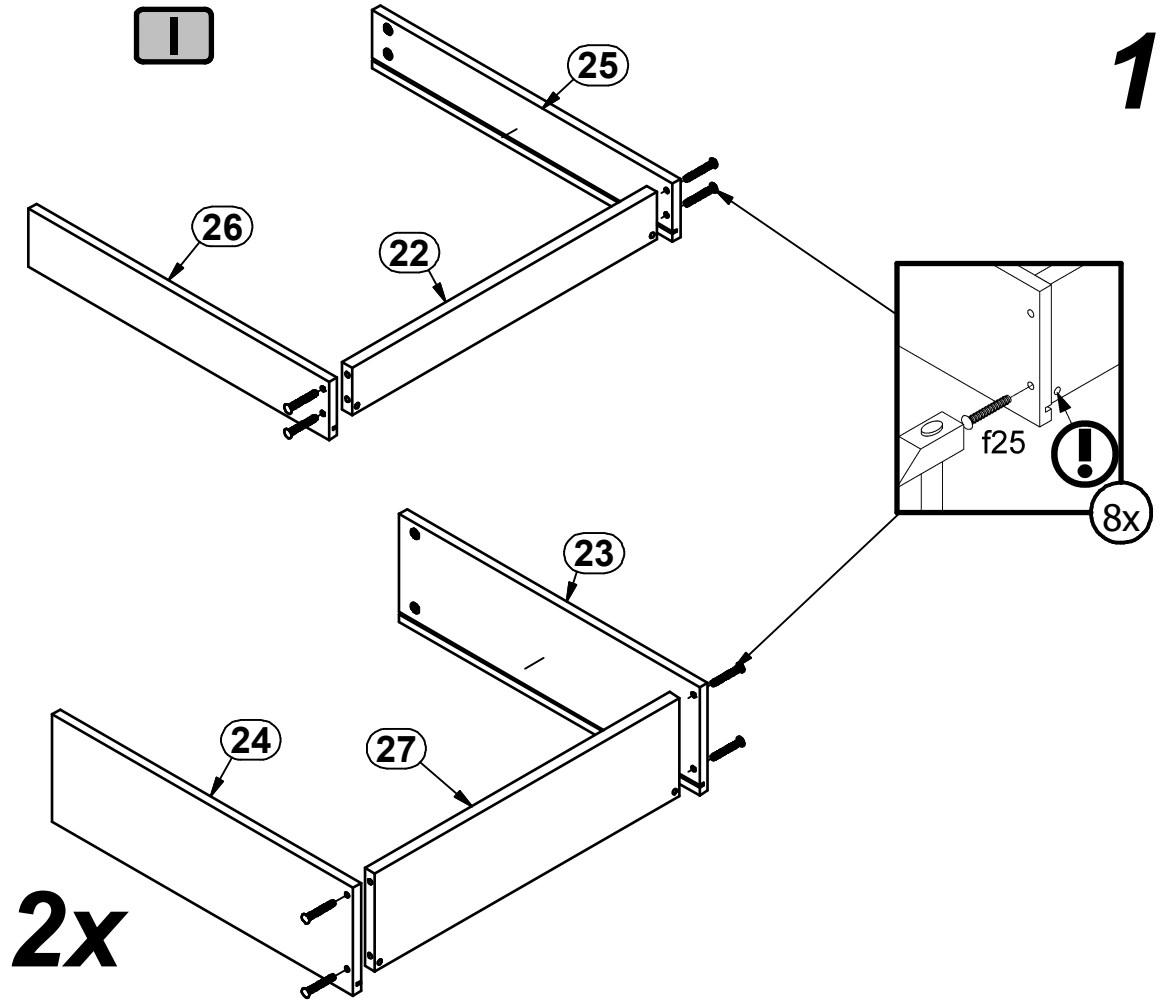
# 14A



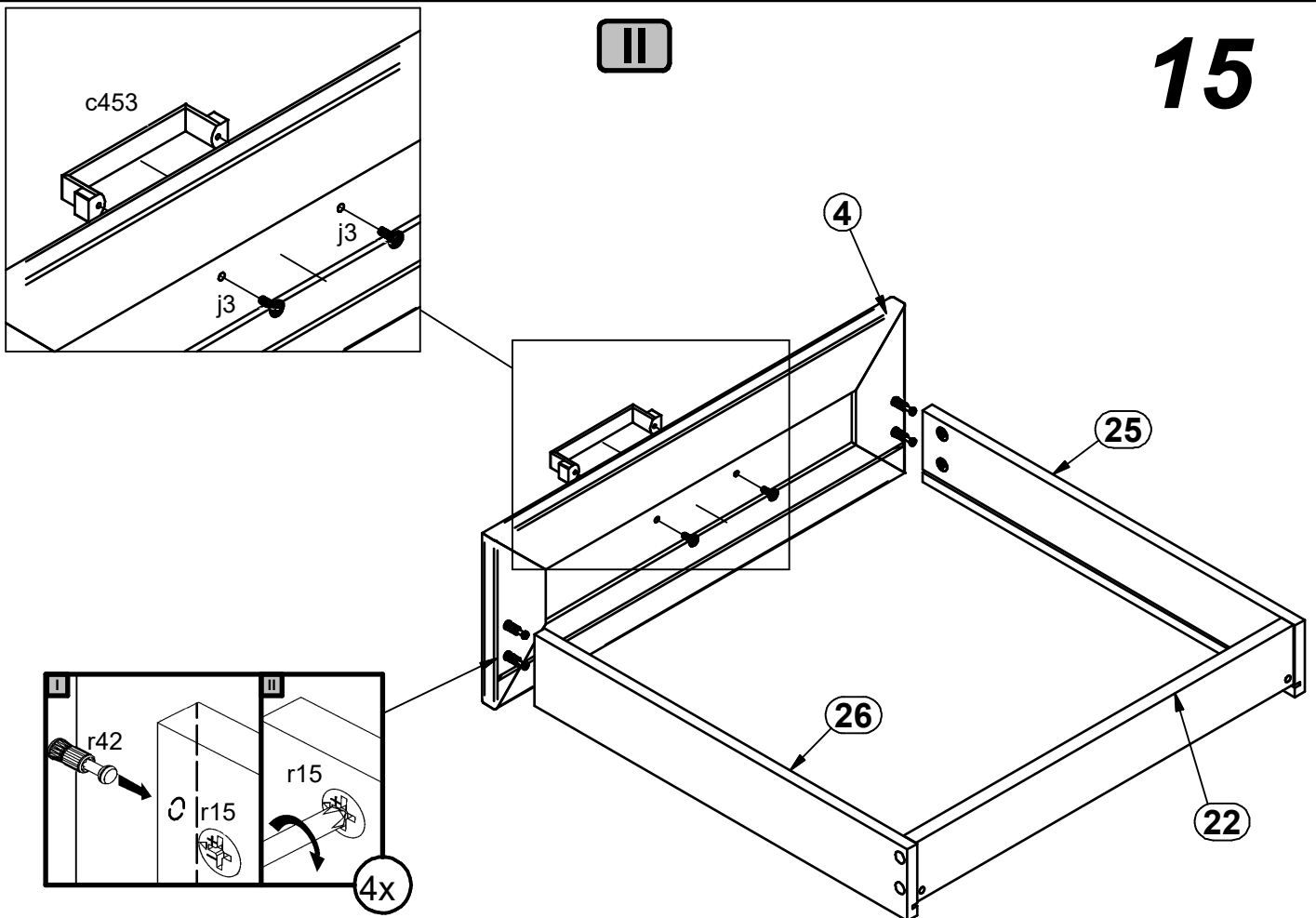
# 14B



15

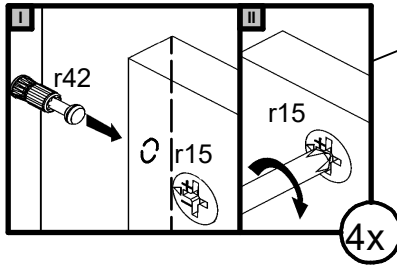
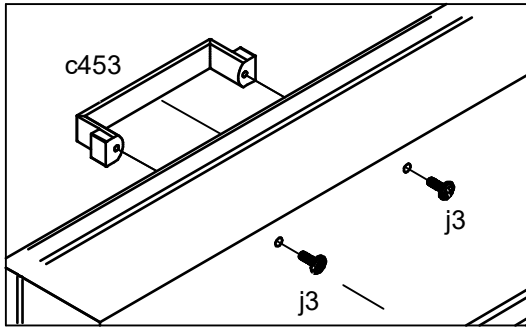


15

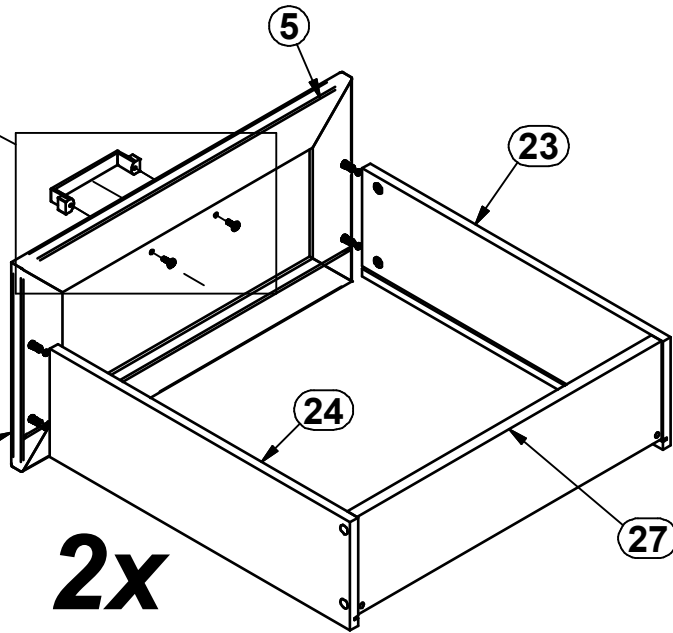


II

15

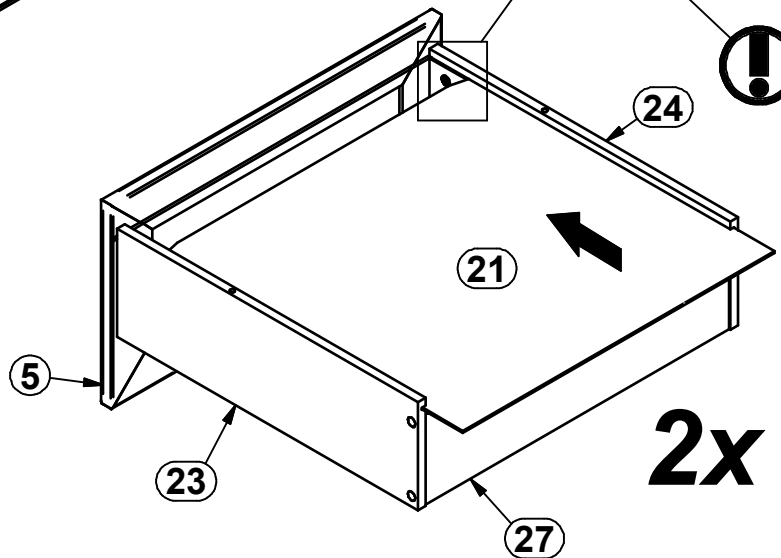
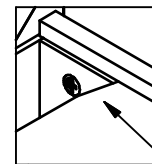
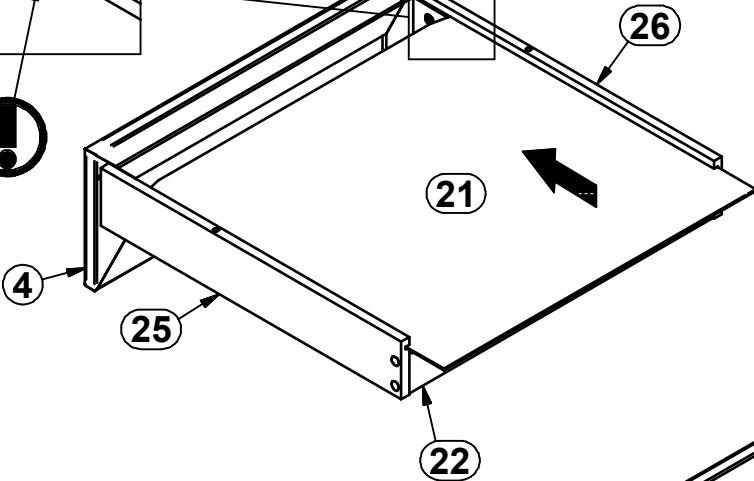
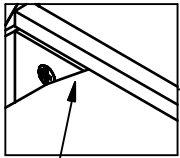


2x



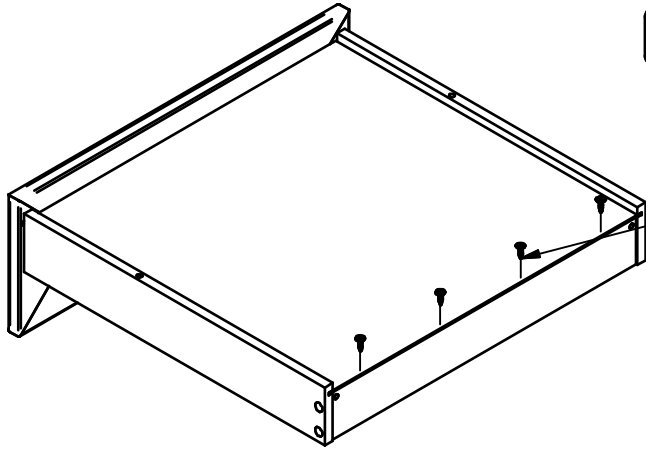
15

III

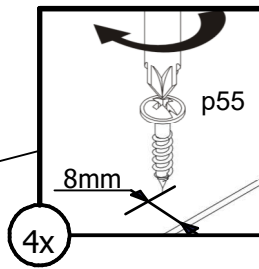


2x

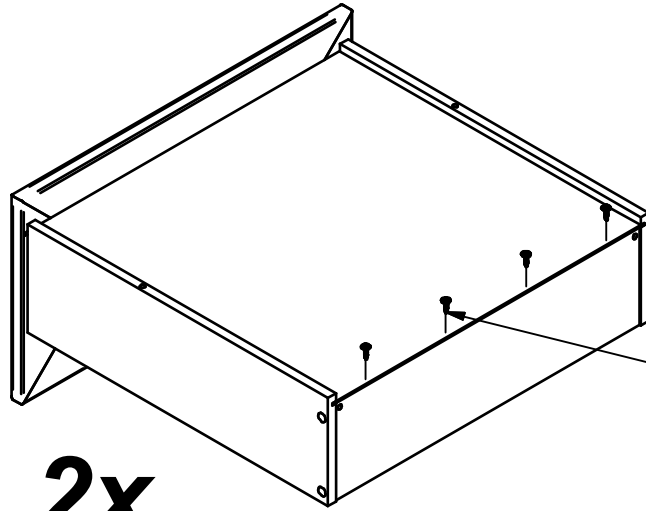
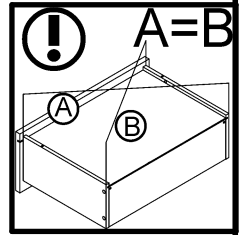




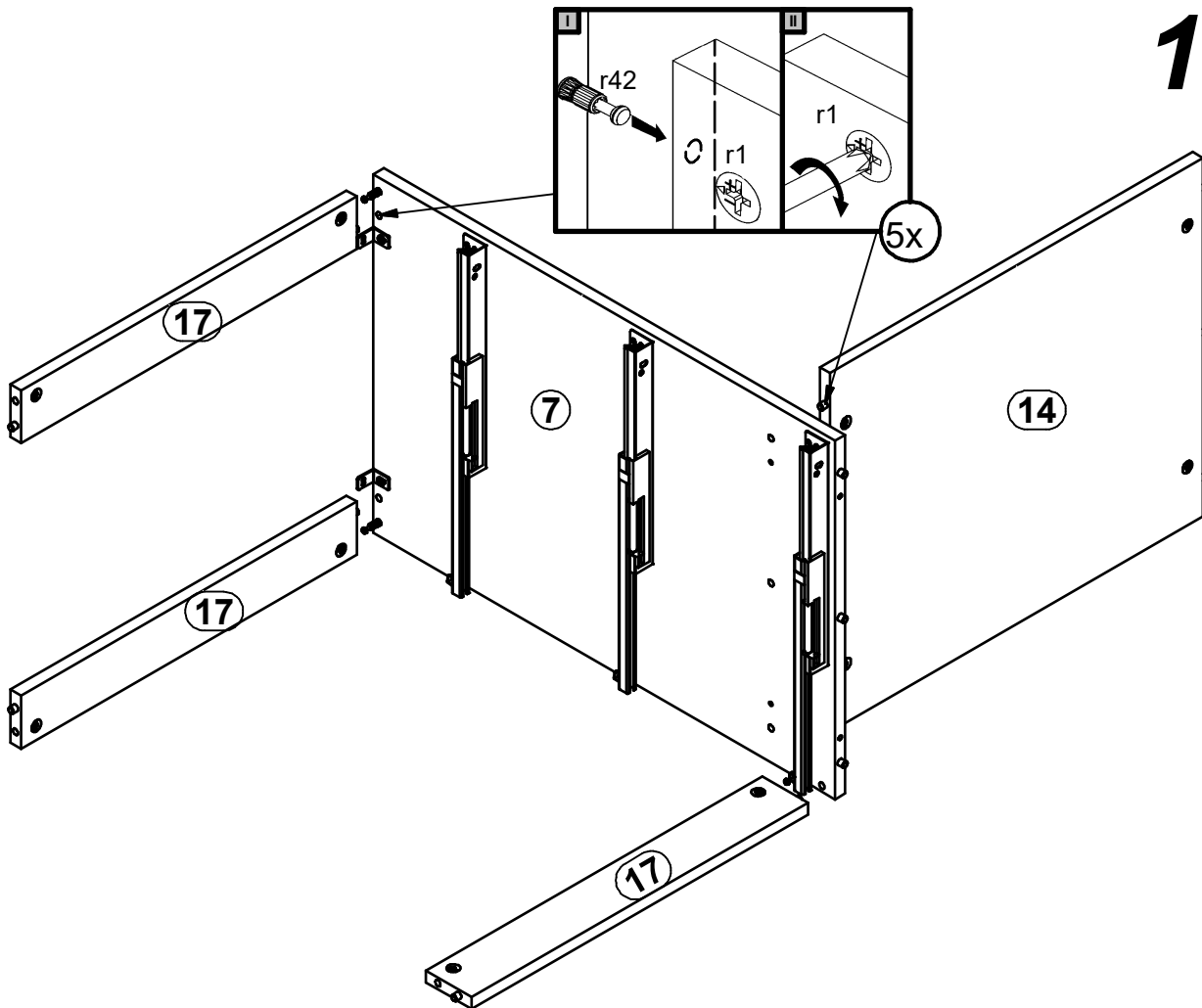
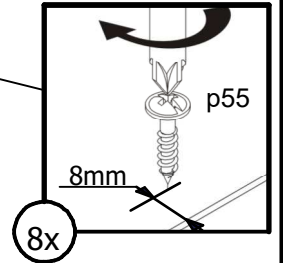
IV



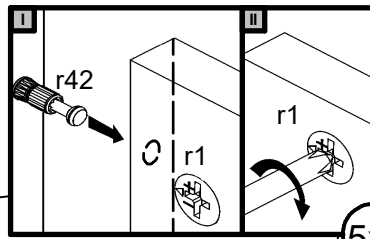
15



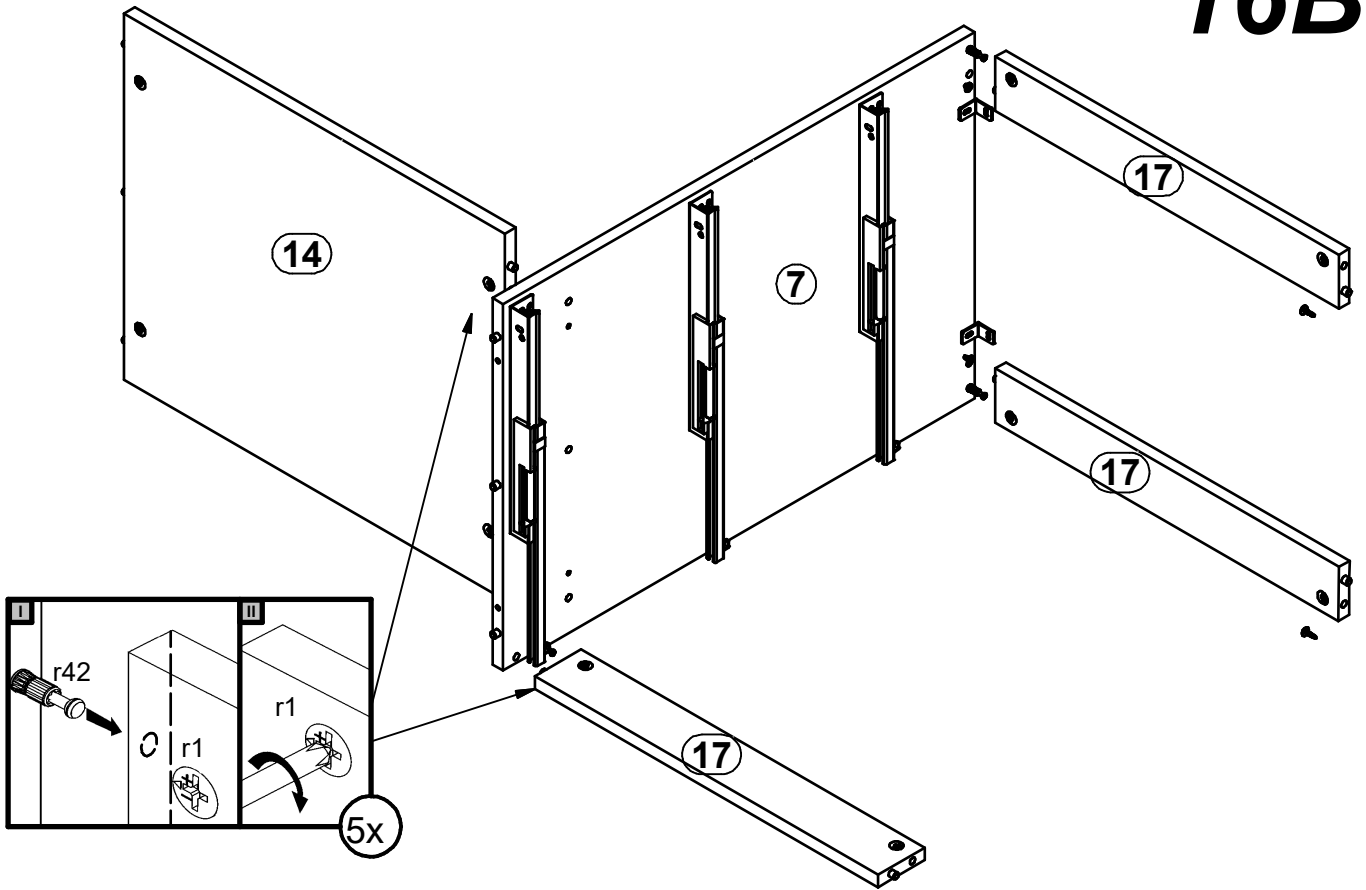
2x



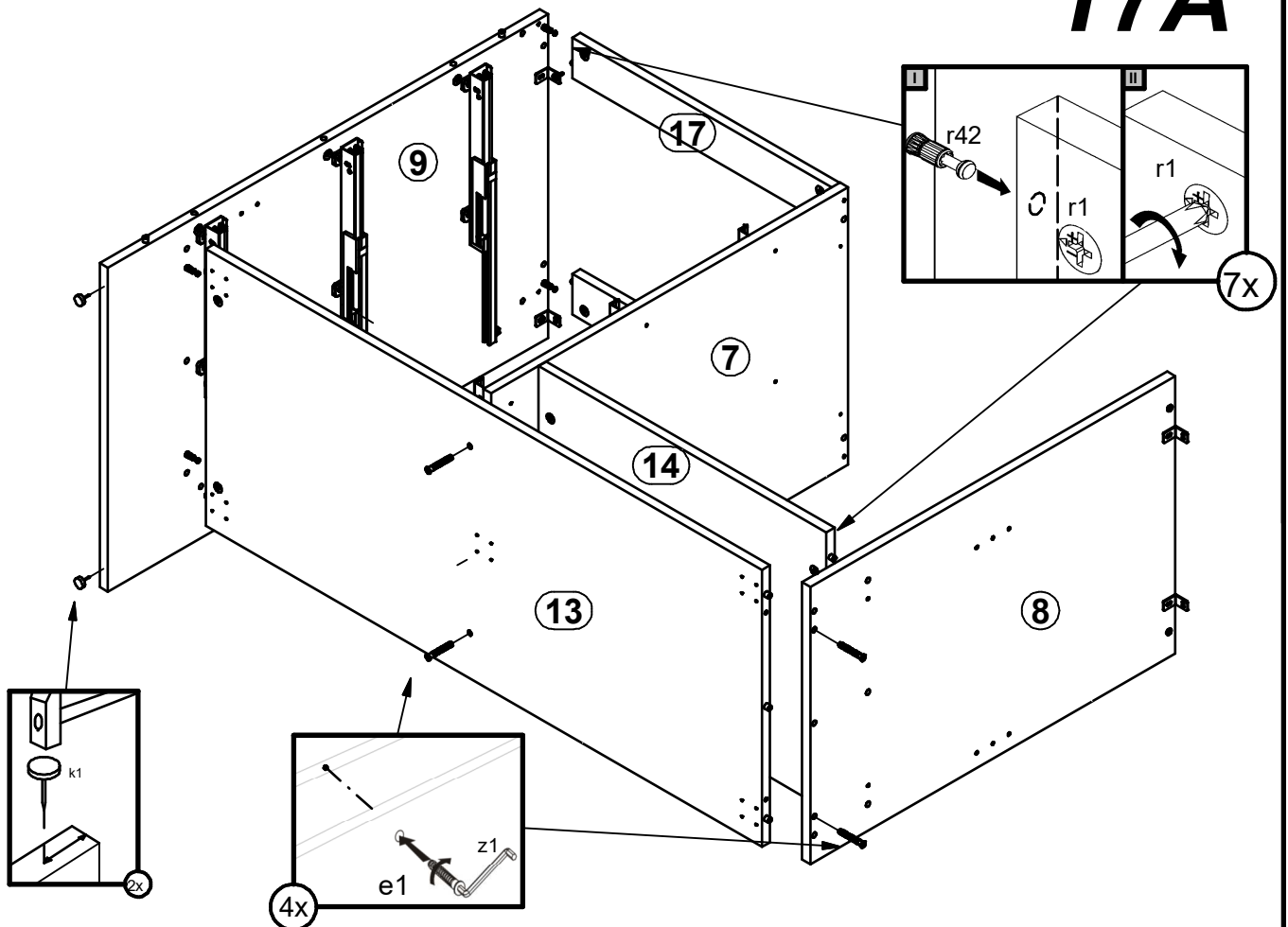
16A



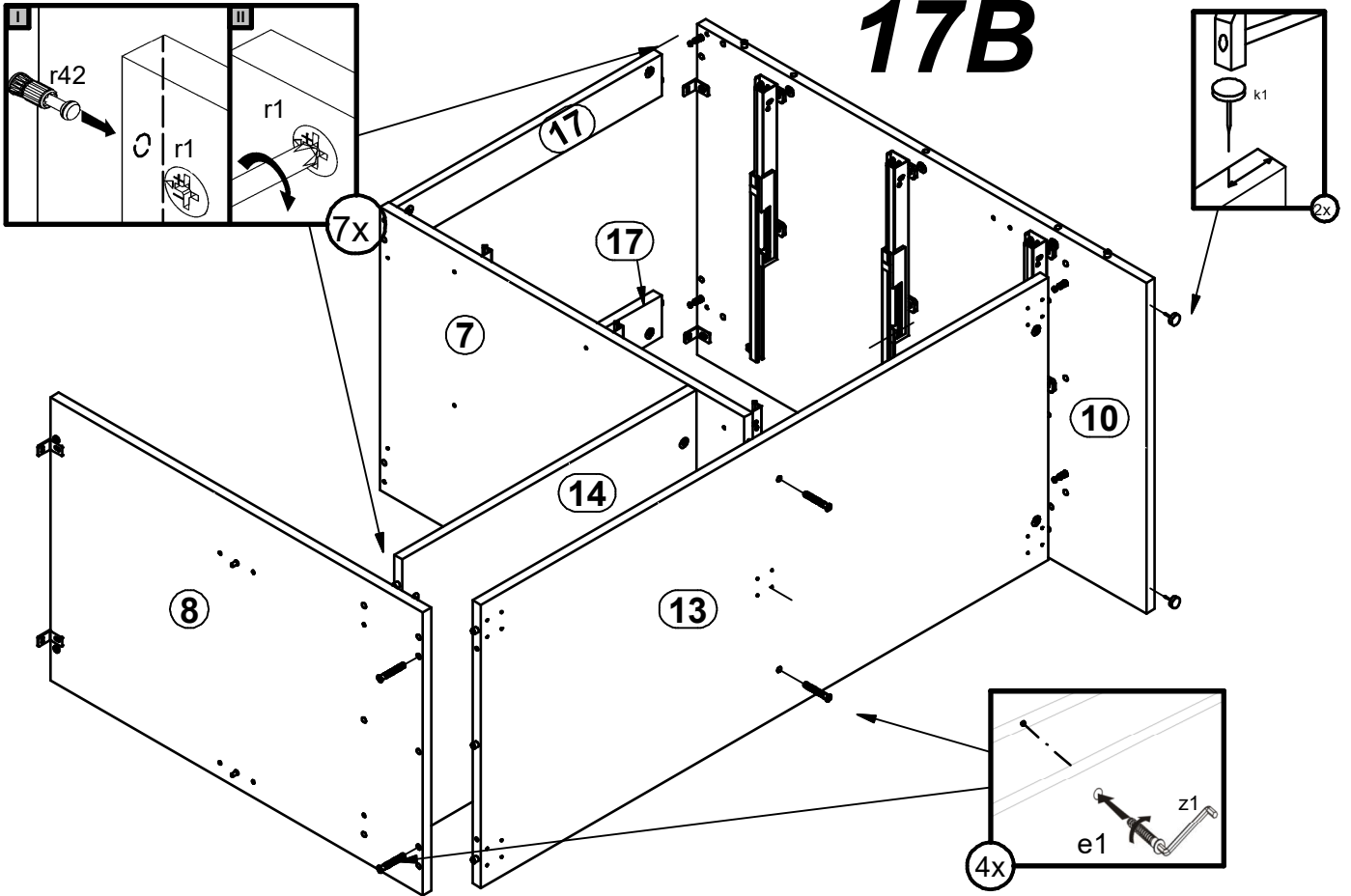
# 16B



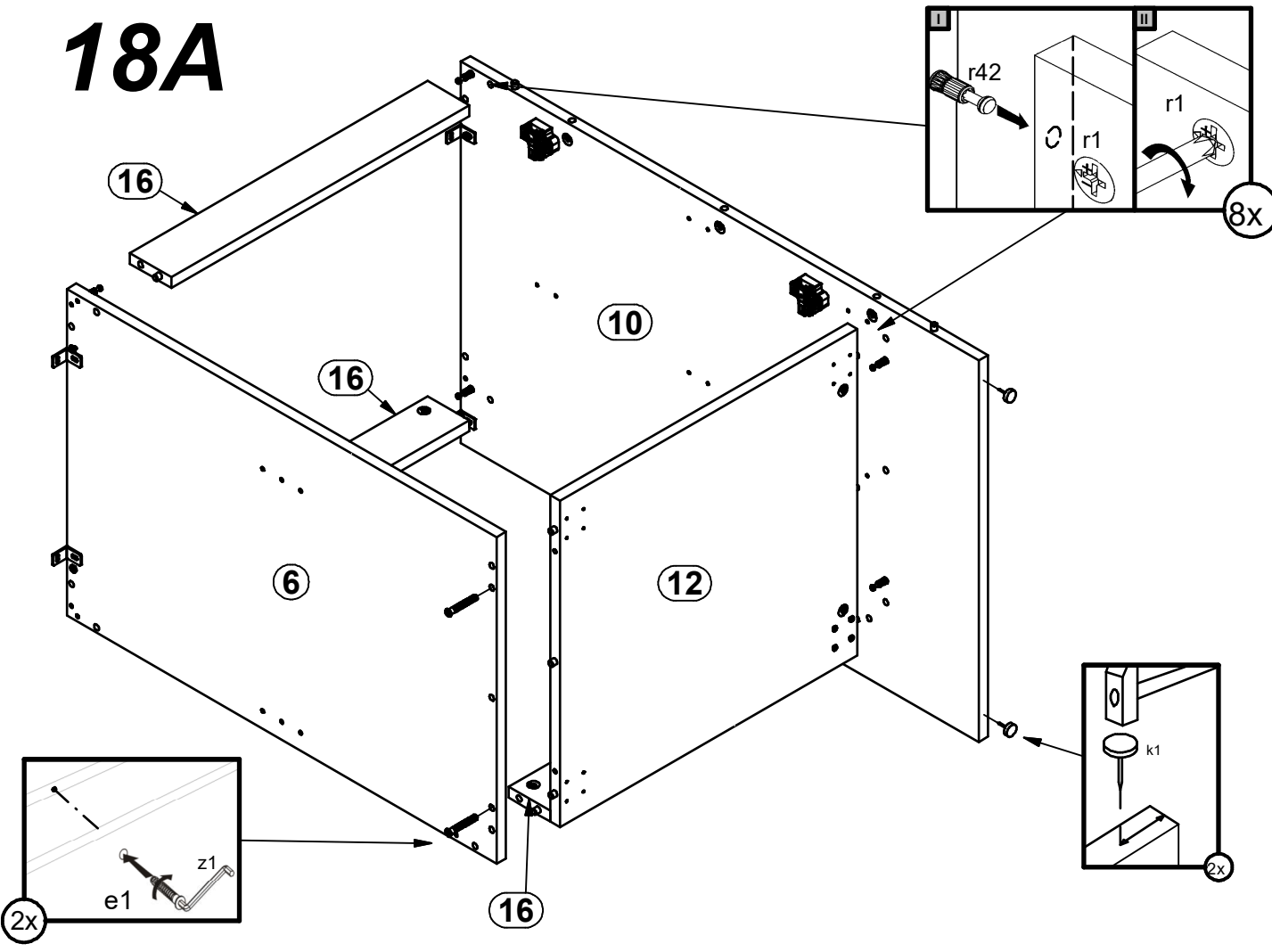
# 17A

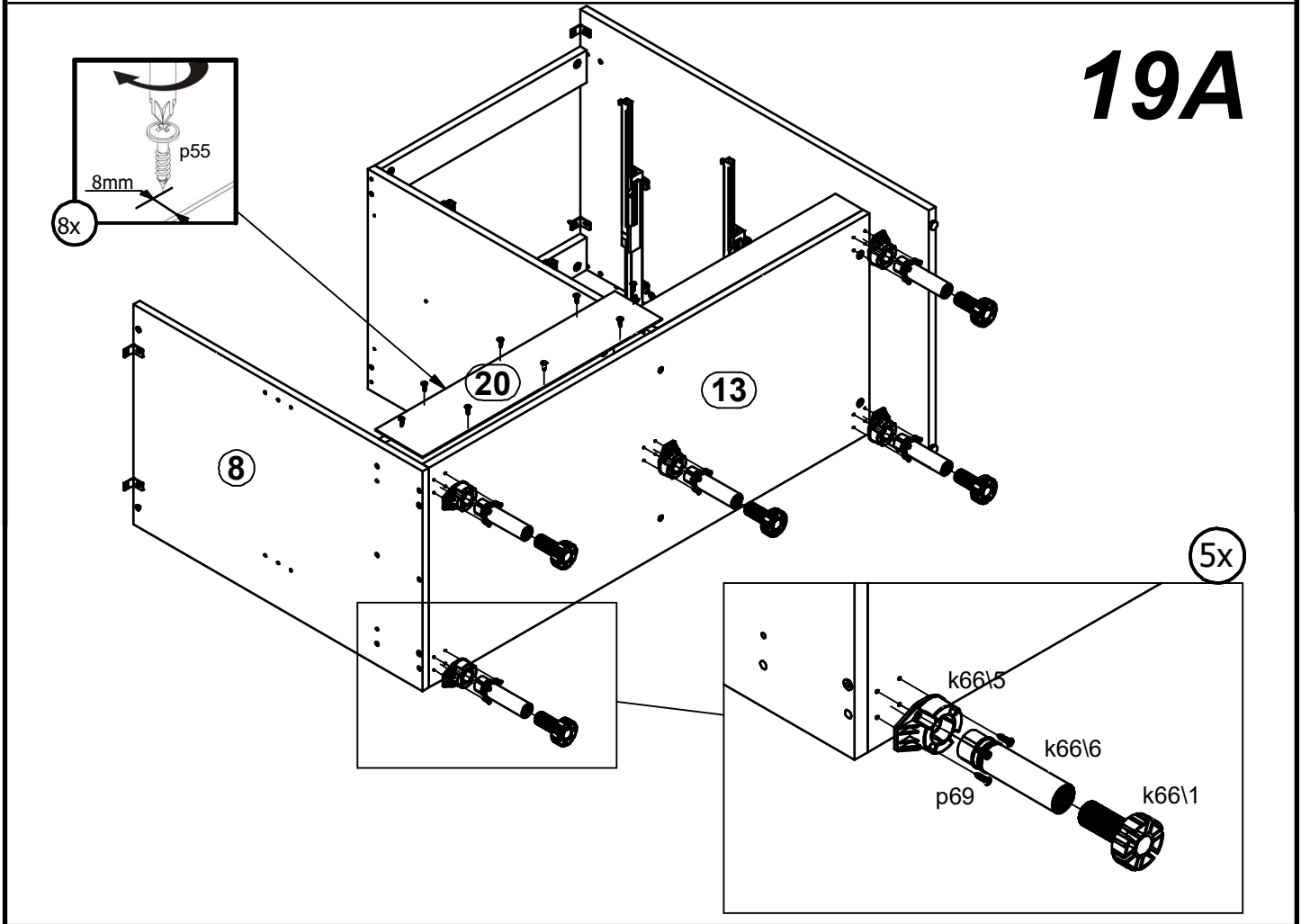
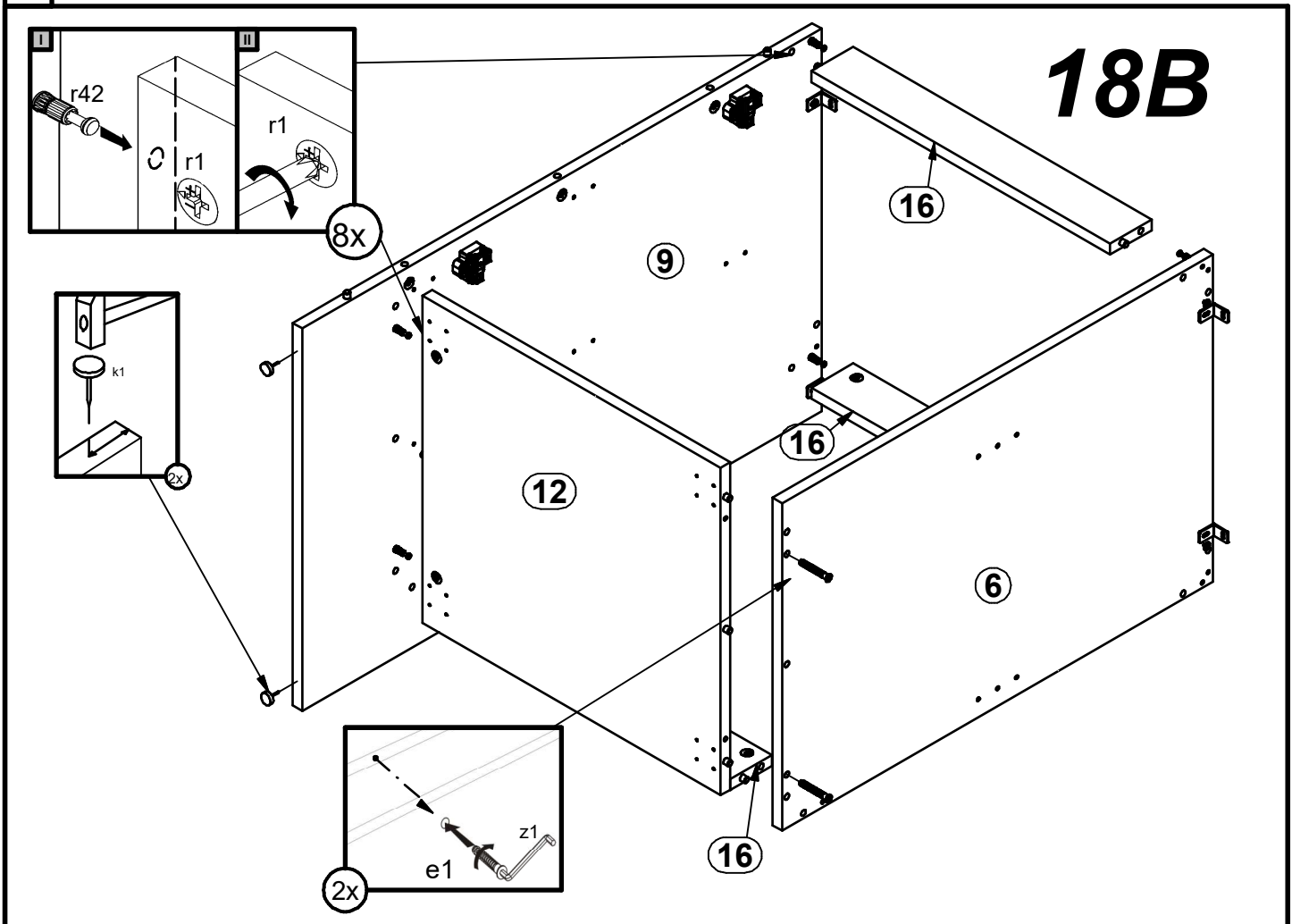


# 17B

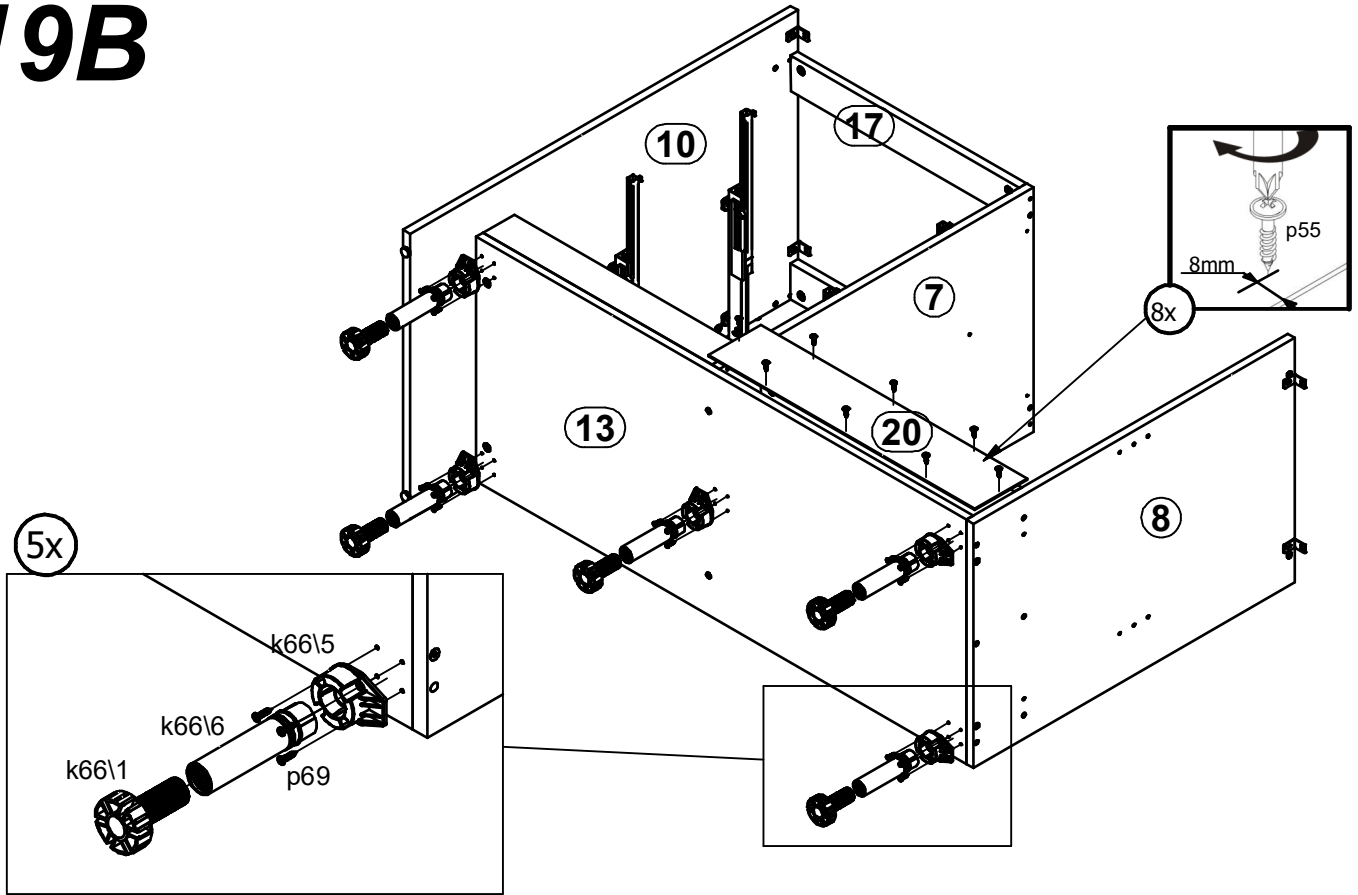


# 18A

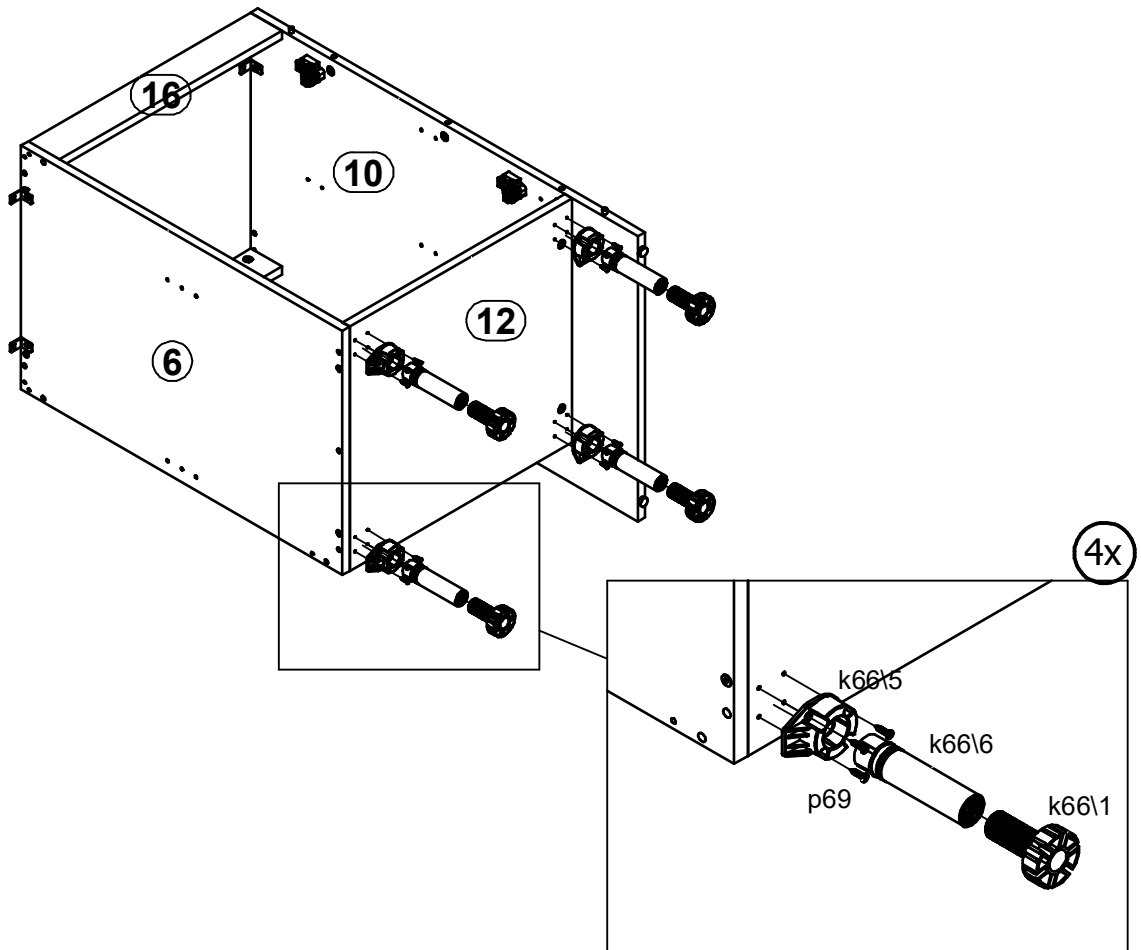




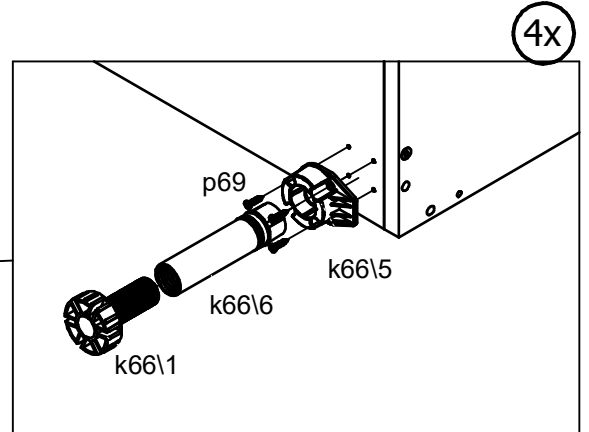
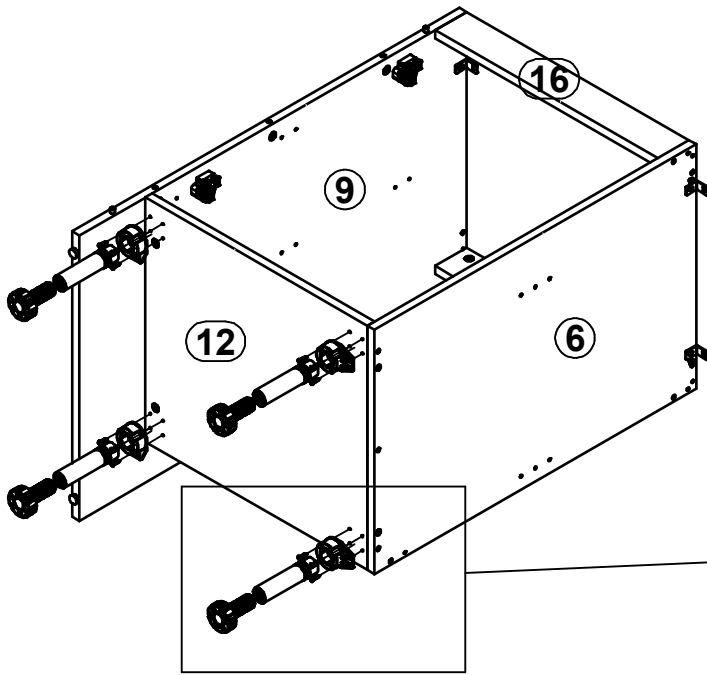
# 19B



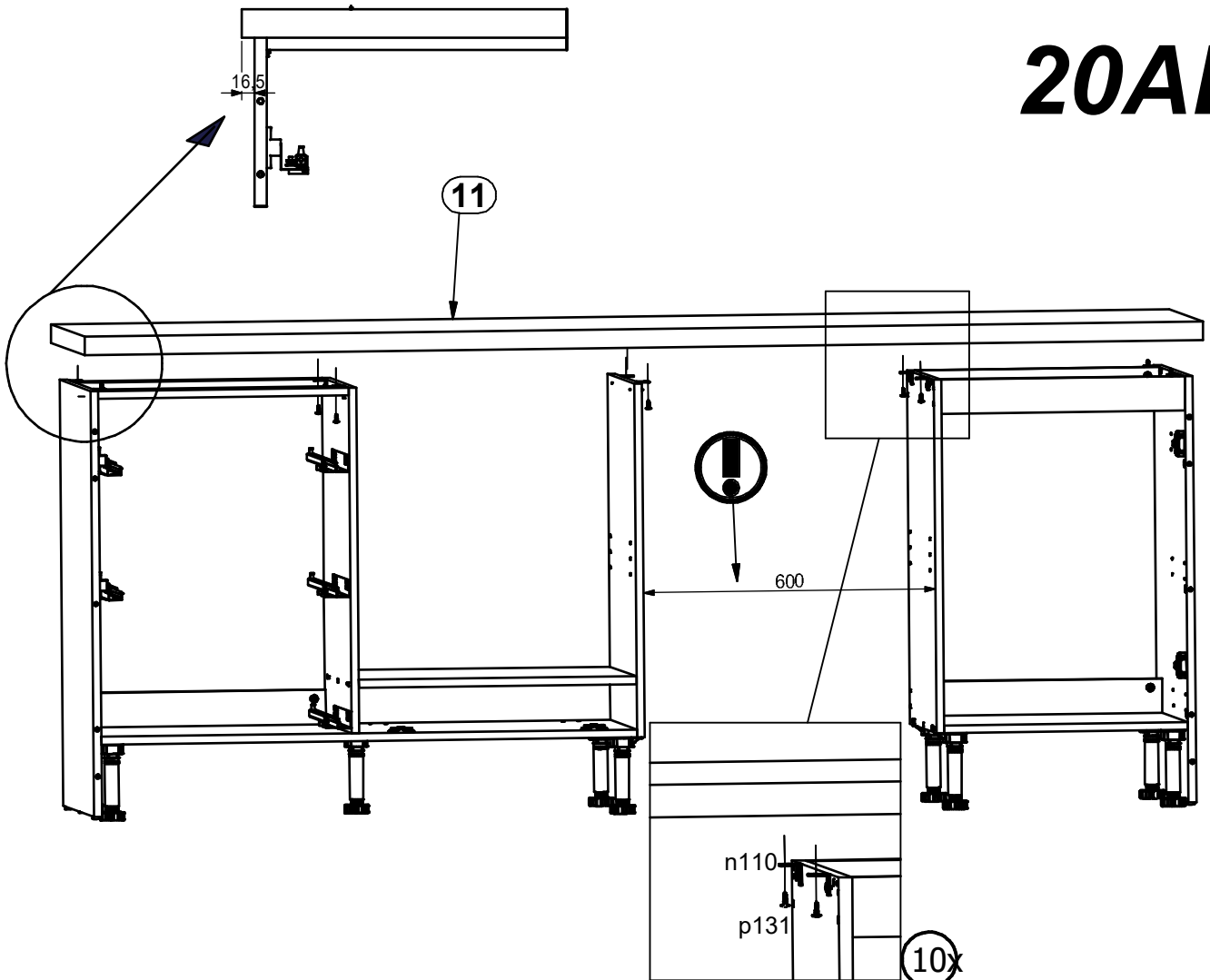
# 20A



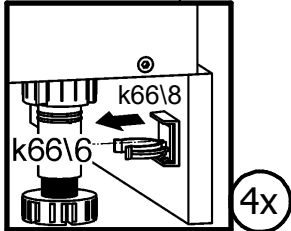
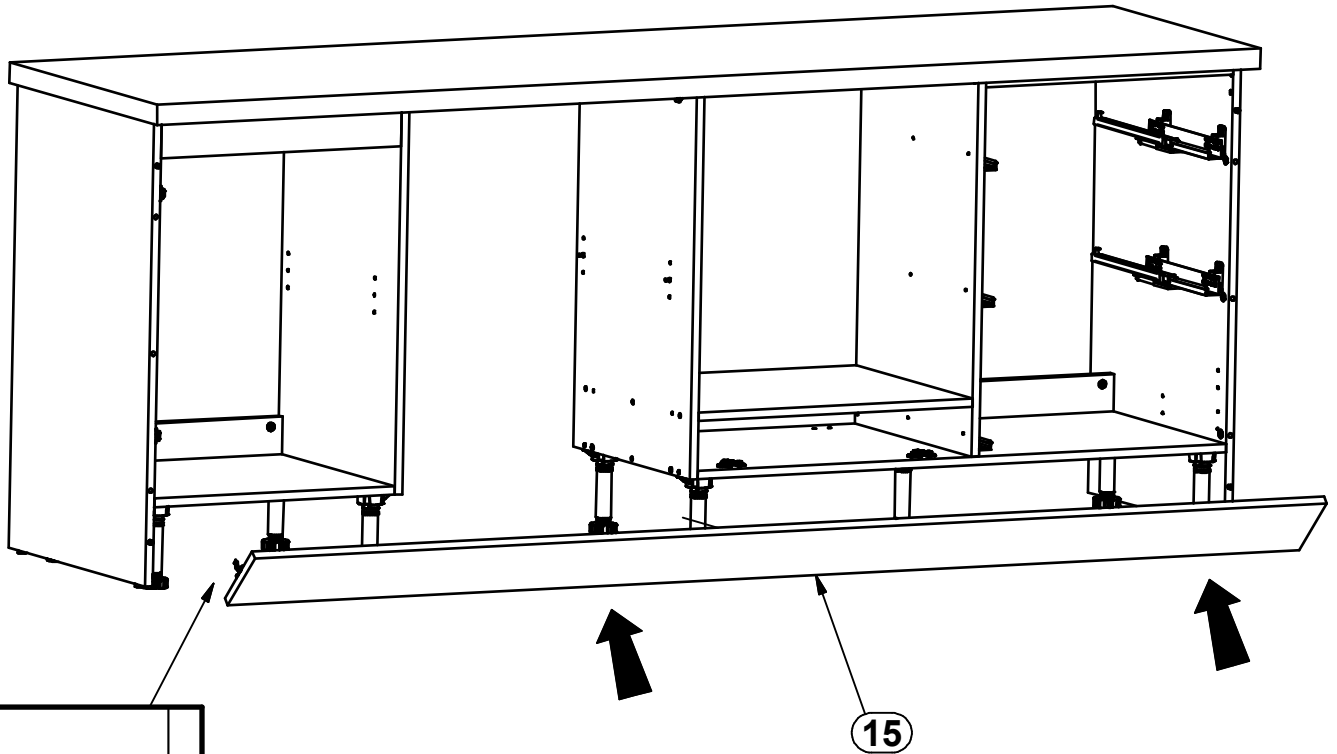
# 20B



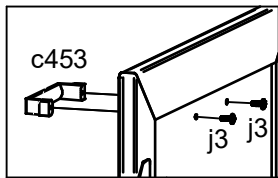
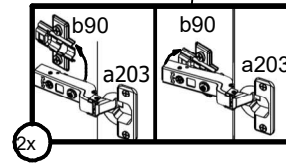
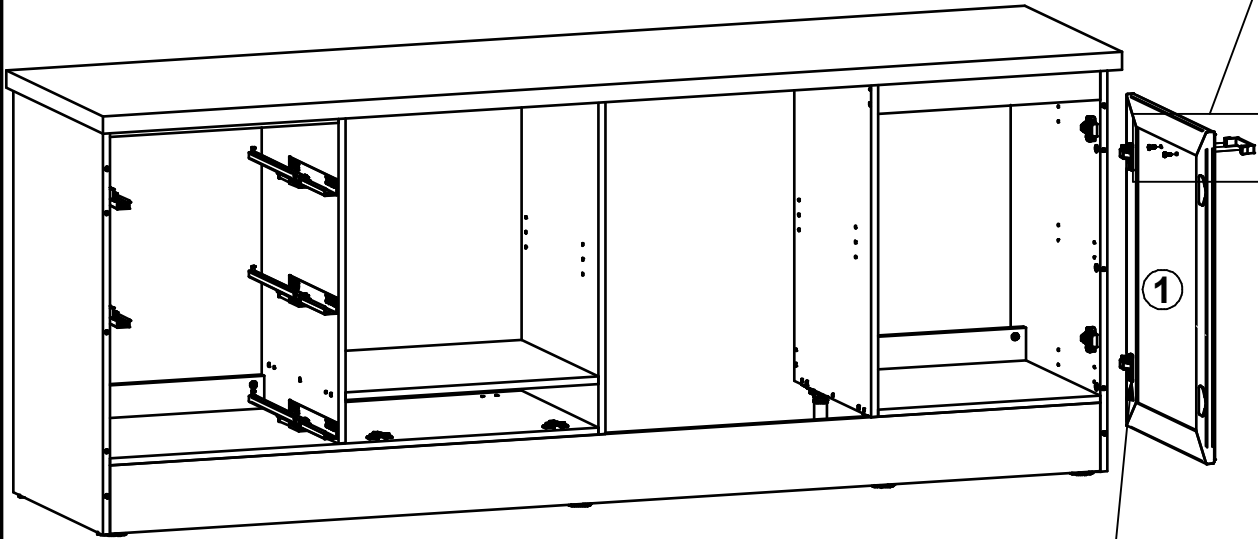
# 20AB



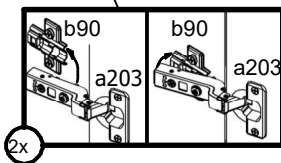
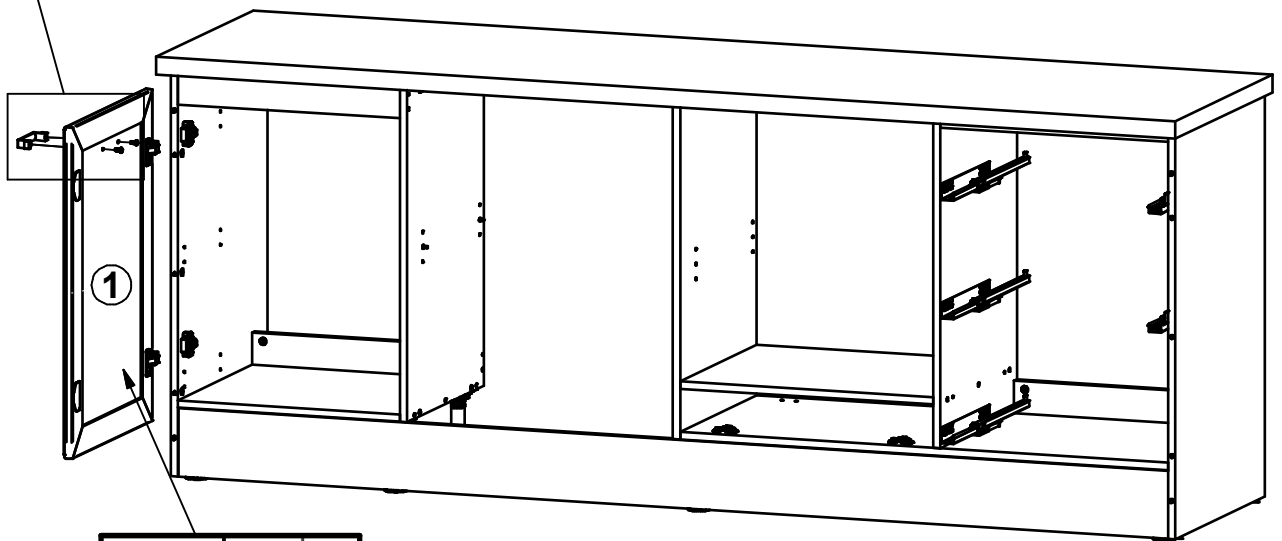
# 21AB



# 22A

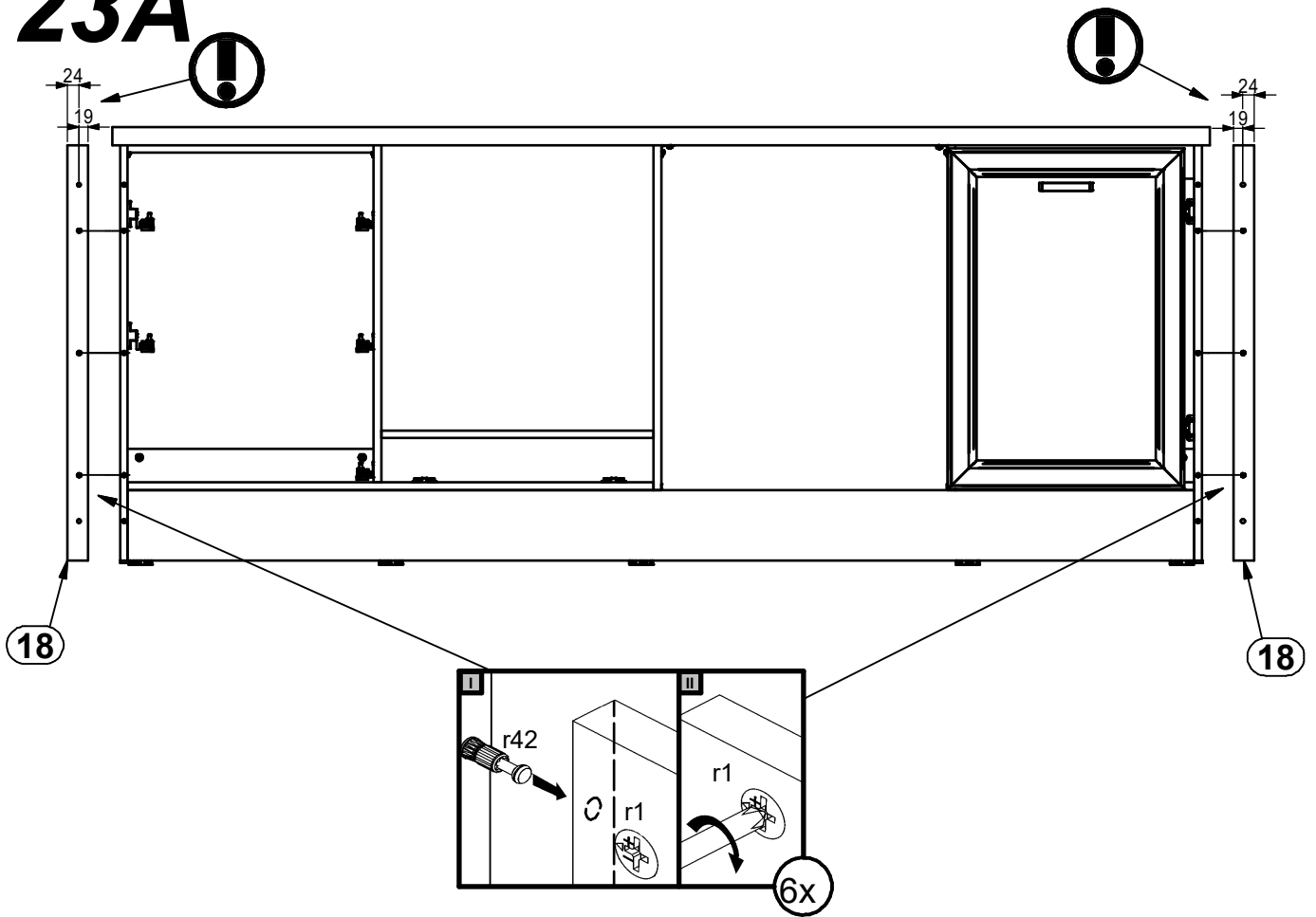


# 22B

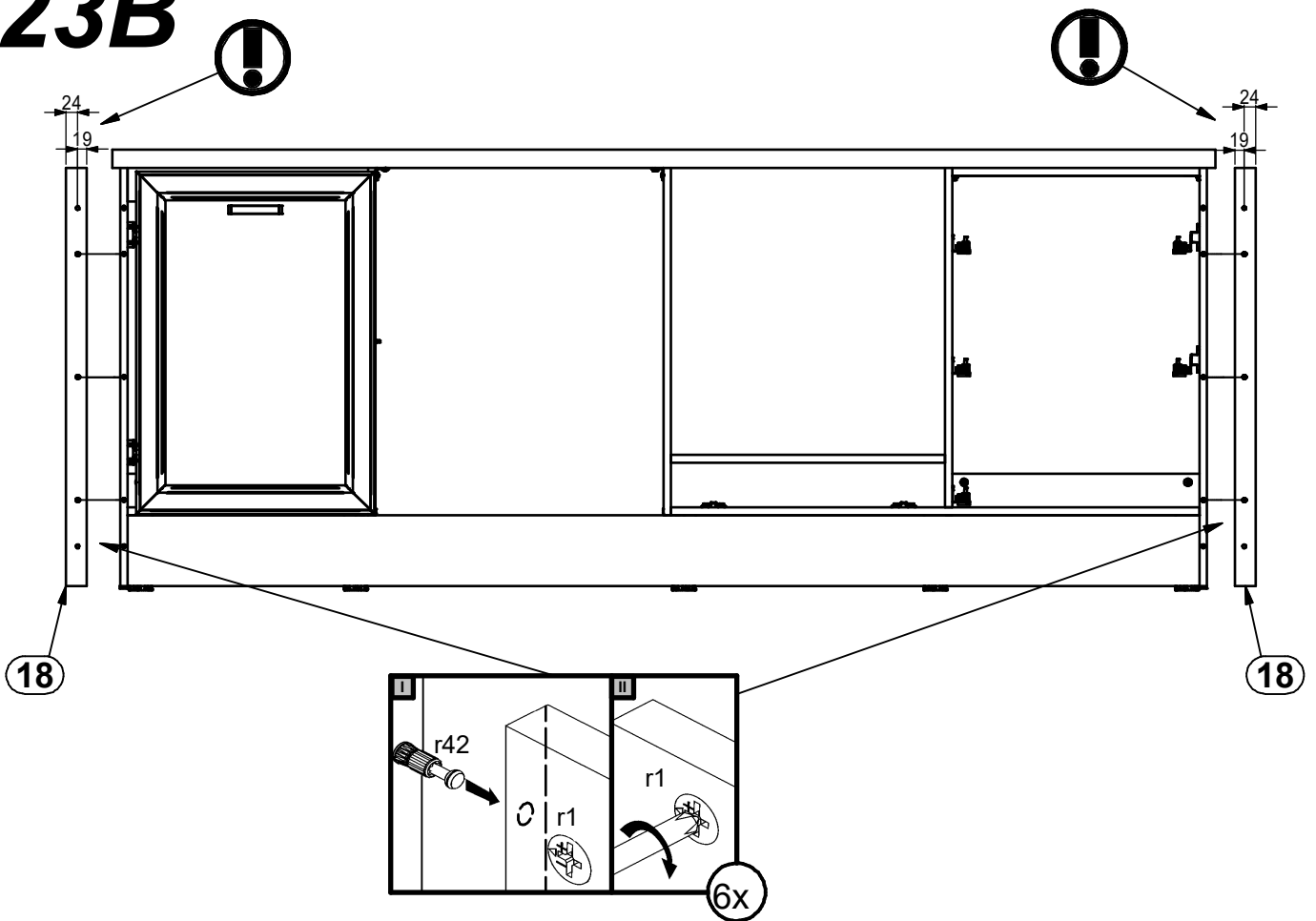




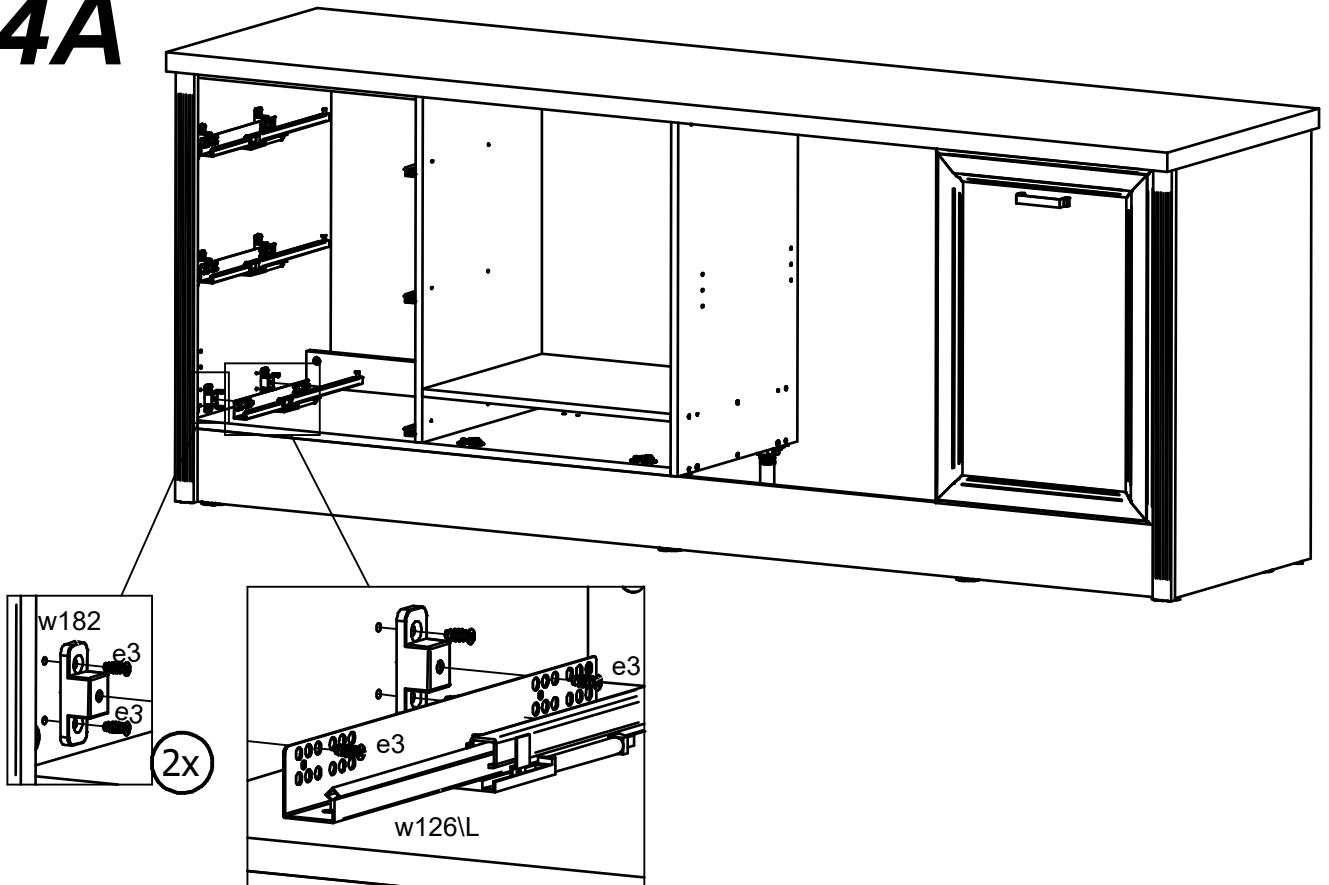
# 23A



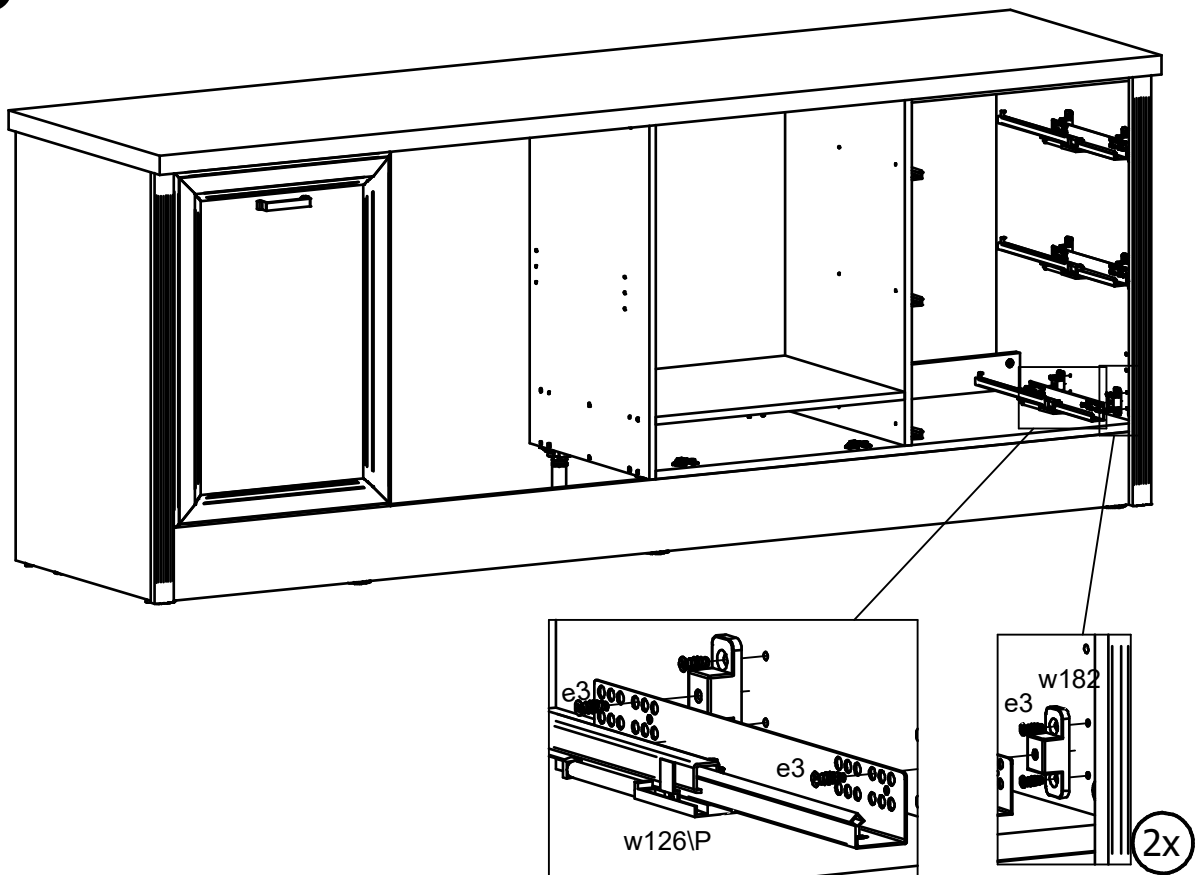
# 23B



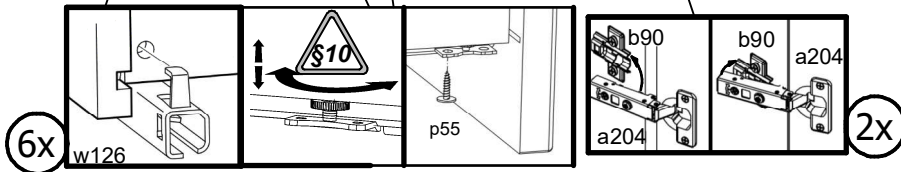
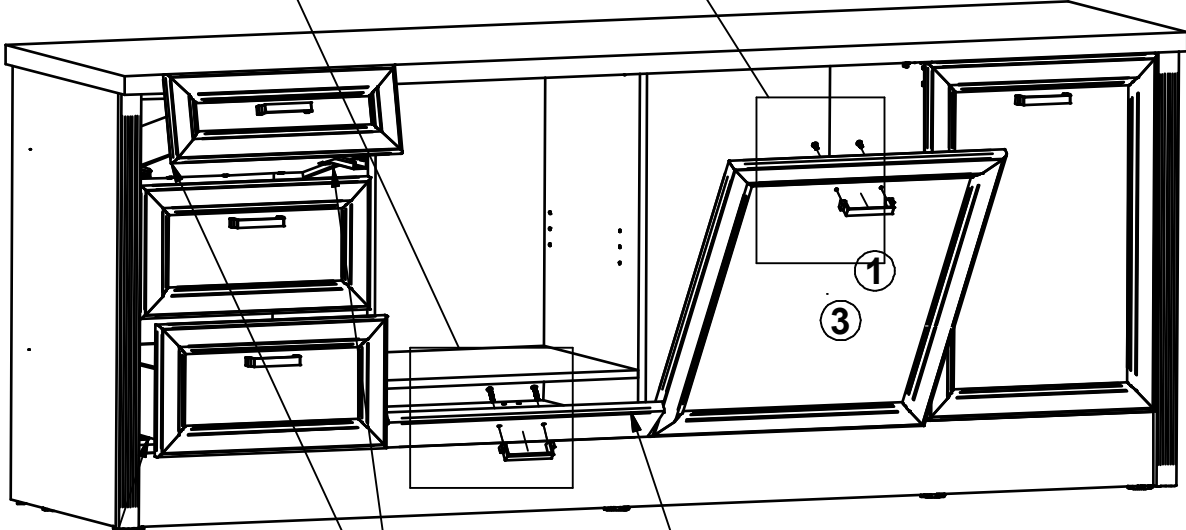
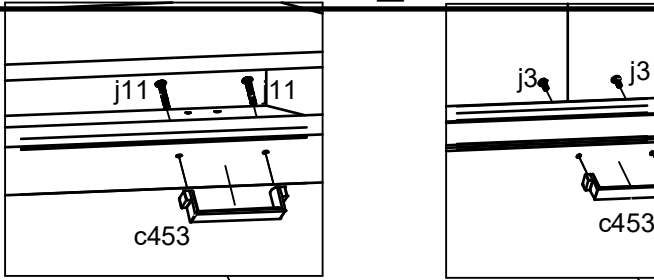
# 24A



# 24B



# 25A



# 25B

