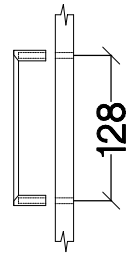
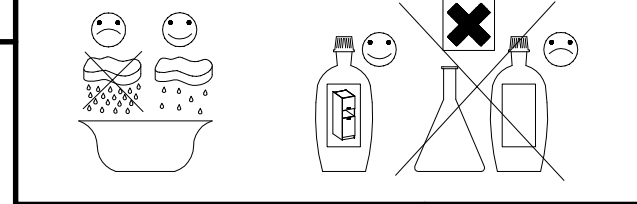
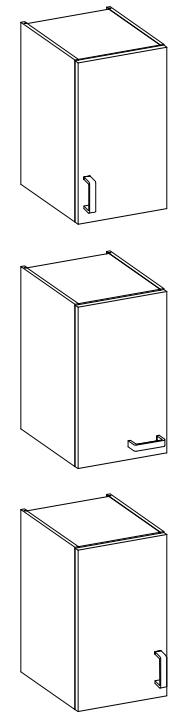
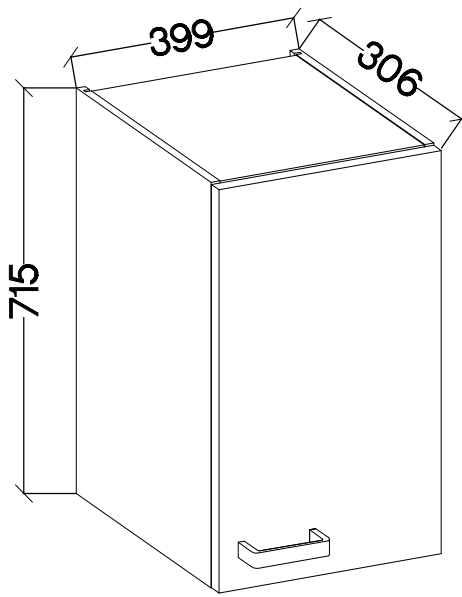
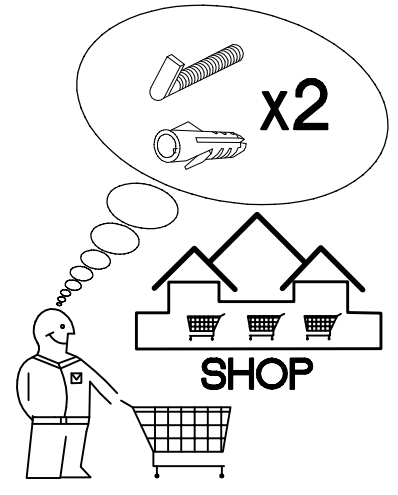
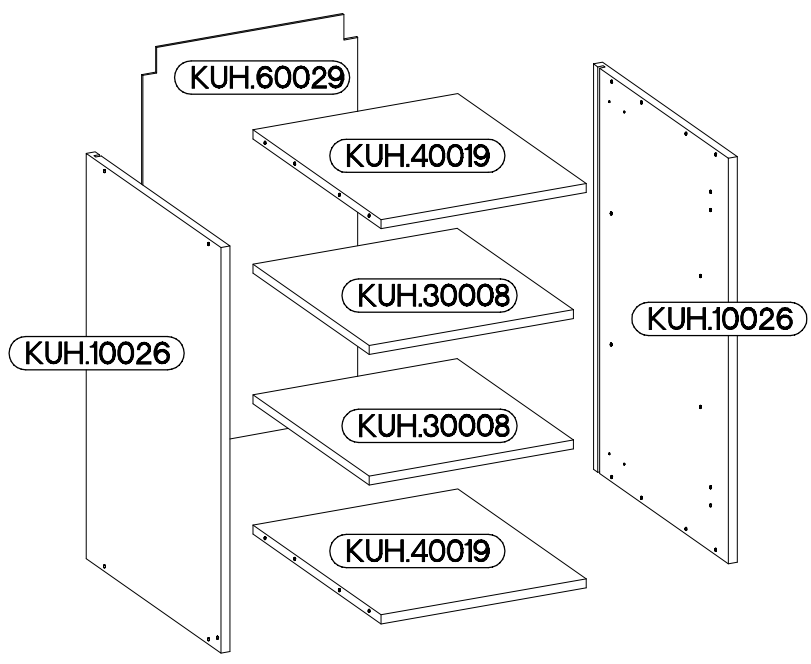
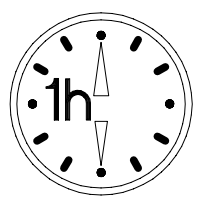


40 G-72 1F

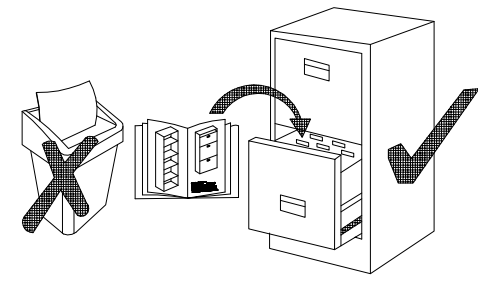


max. 5kg

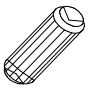
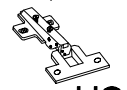

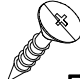
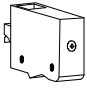
KUH.30008
KUH.40019

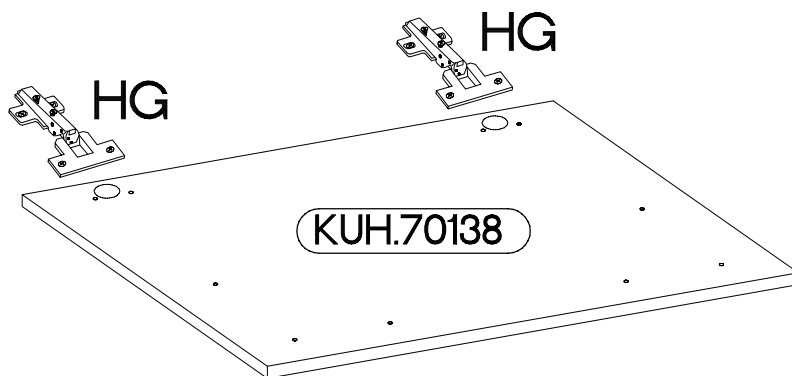
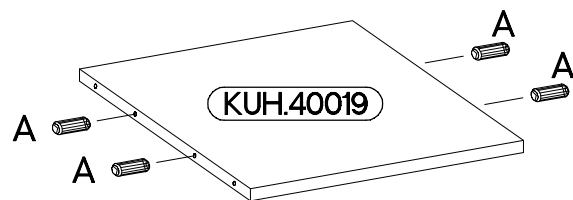
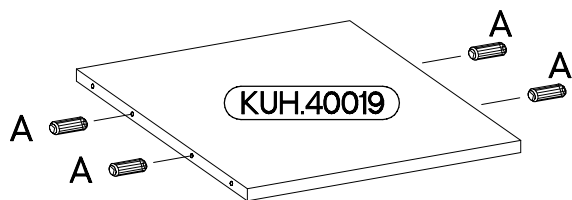
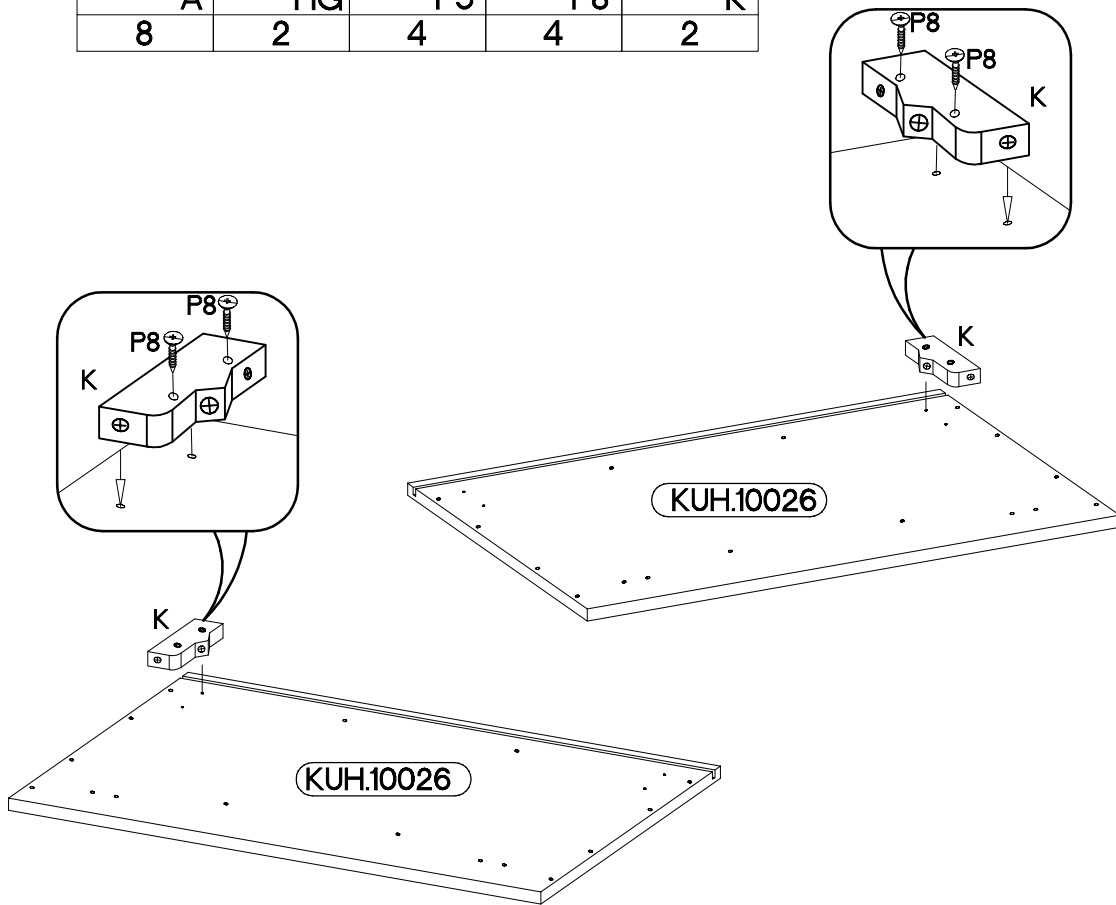
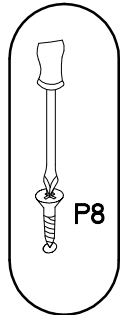
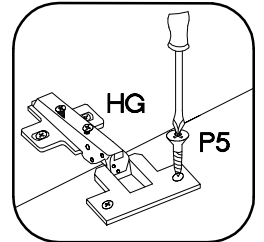
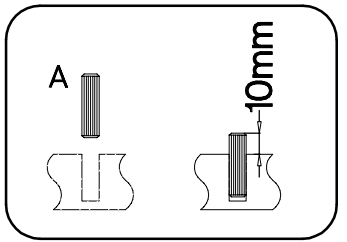
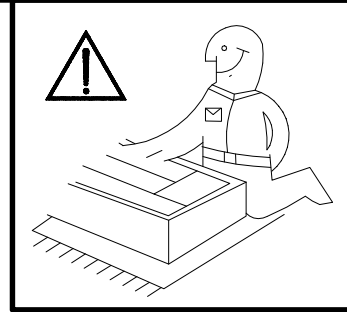


 A 8	 B 8	 E1 8	 HG 2	 J 8	 K 2
 O 1	 P5 4	 P7 8-10	 P8 4	 U 2	 S23 1

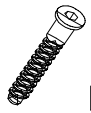
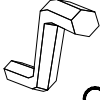



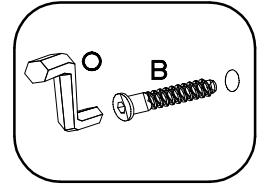
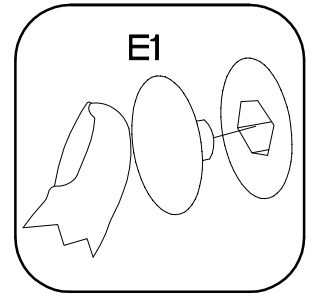
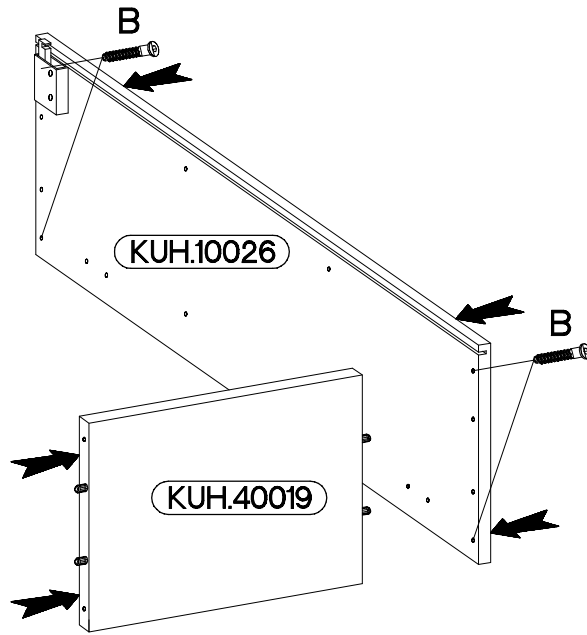
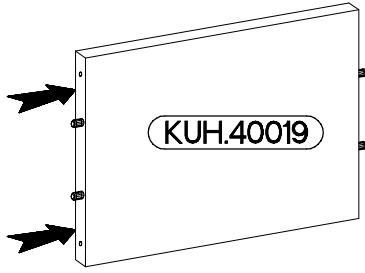
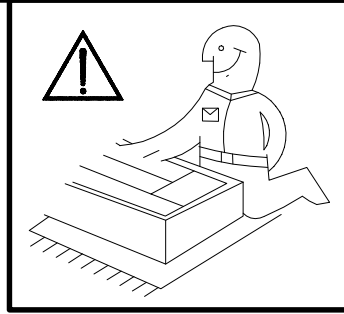
ISM-KUH-00925

†8x30mm  A 8	†35/0mm  HG 2	†3.5x13mm  P5 4	†4.0x30mm  P8 4	 K 2
---	--	--	--	--


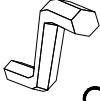



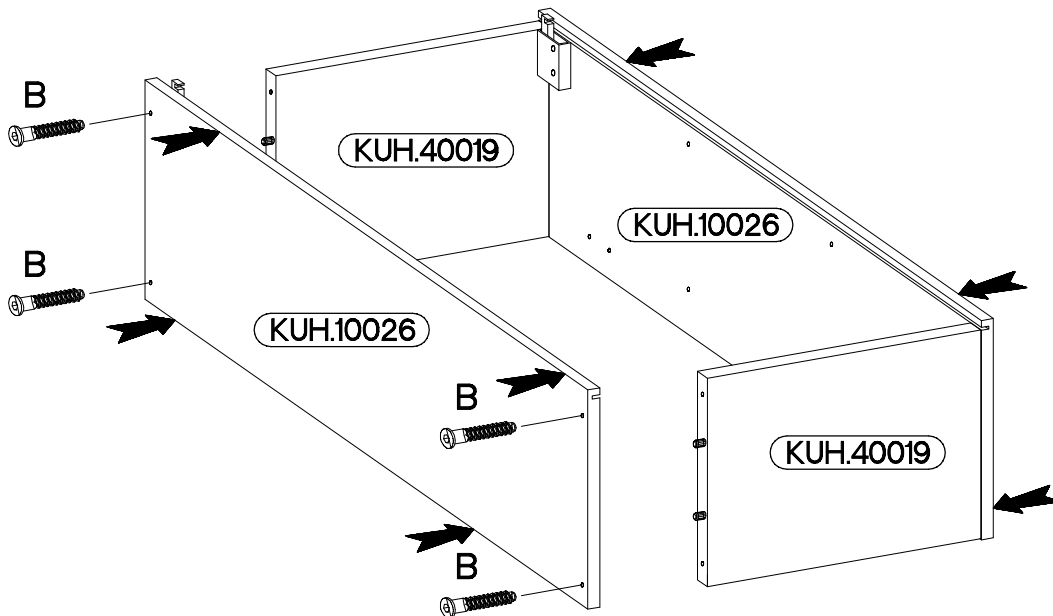
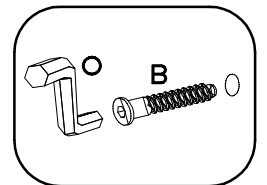
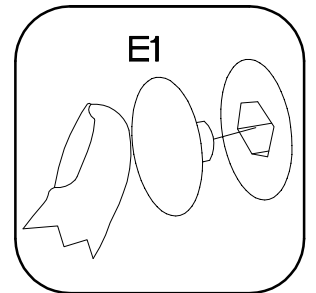
2

6,4 x 50mm		
		
B	O	E1
4	1	4

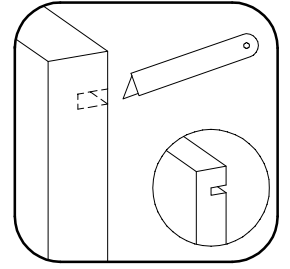
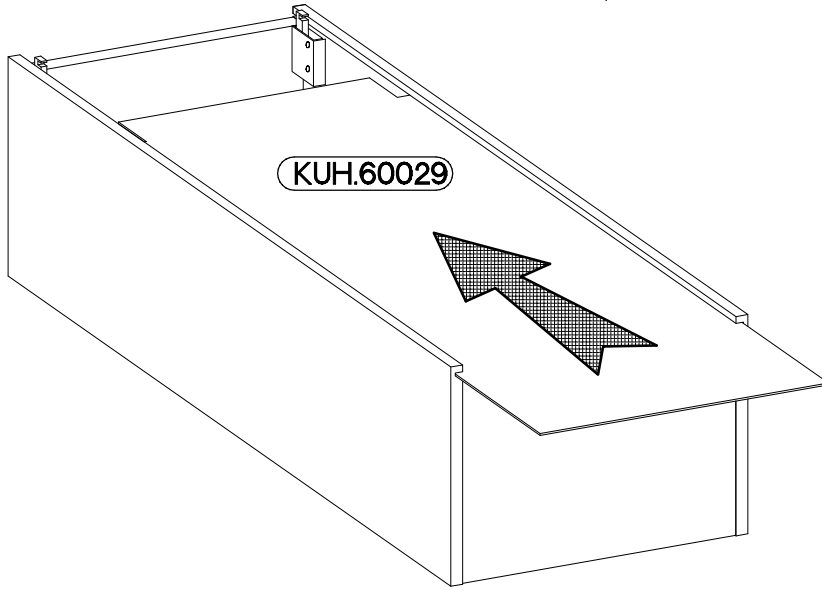
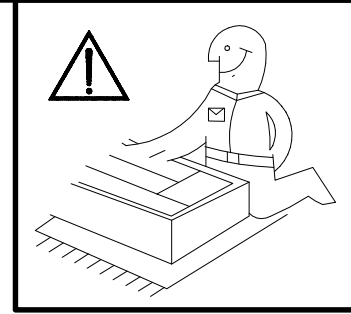
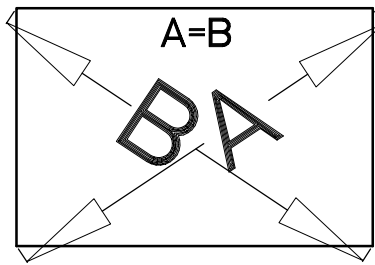


3

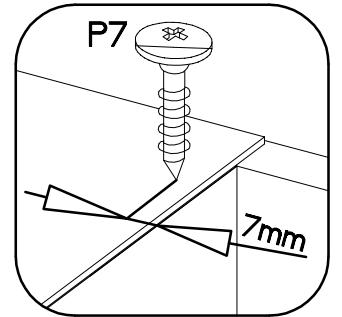
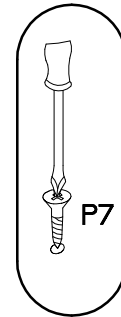
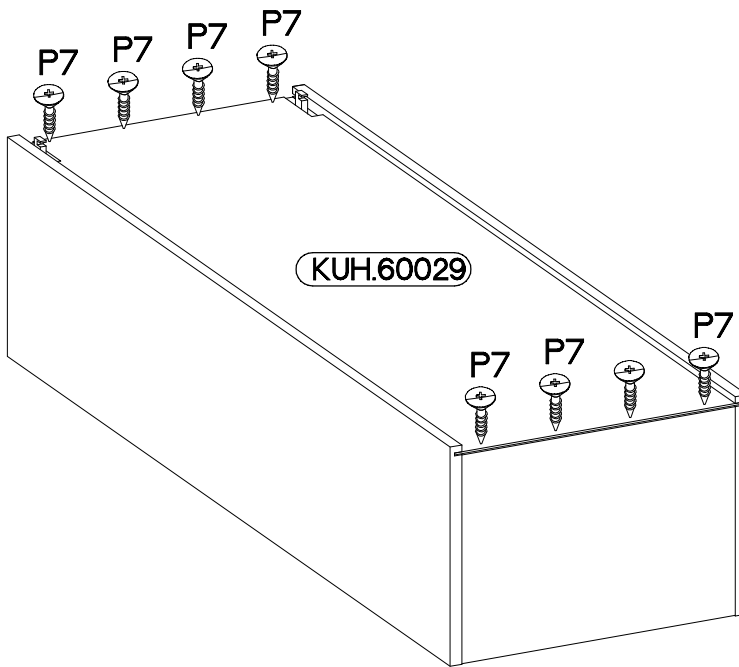
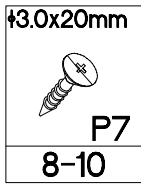
6,4 x 50mm		
		
B	O	E1
4	1	4



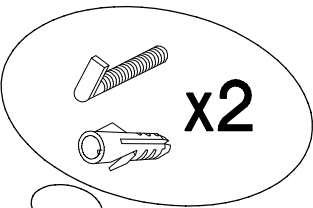
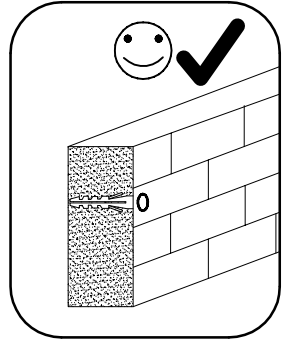
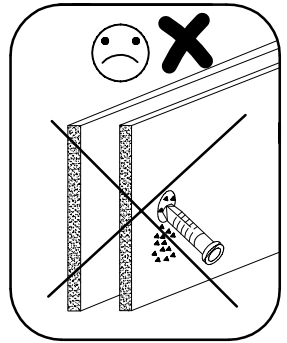
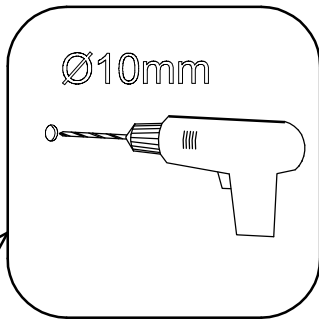
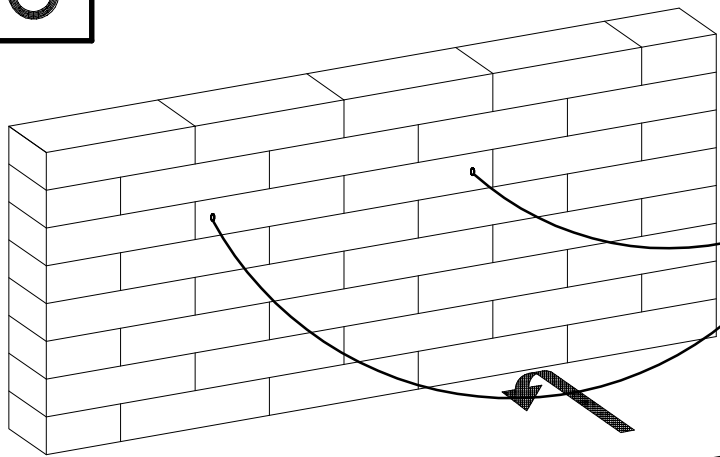
4



5



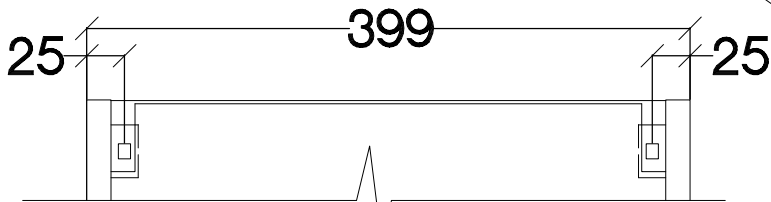
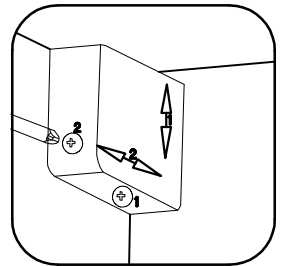
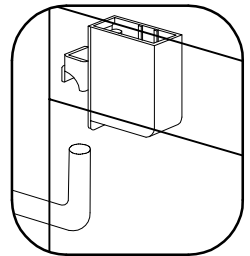
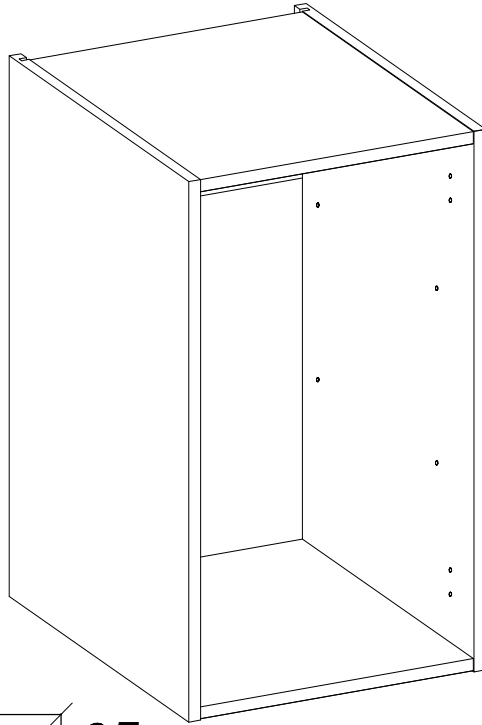
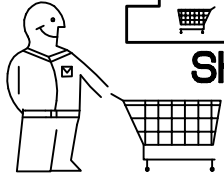
6



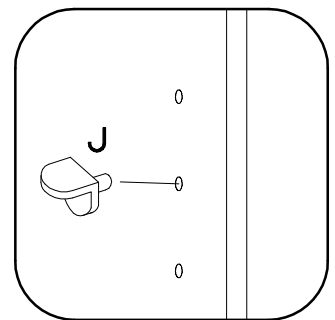
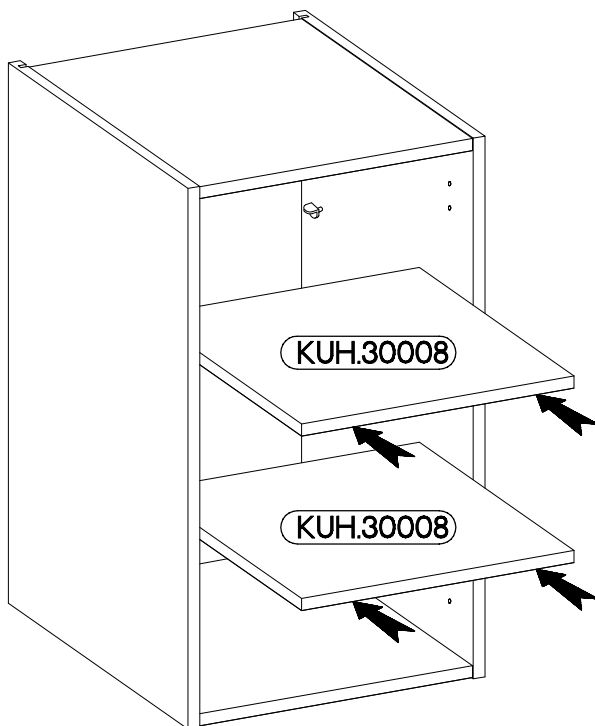
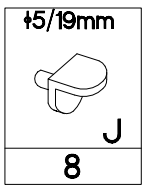
x2

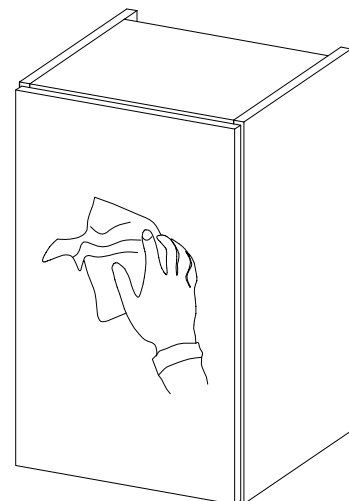
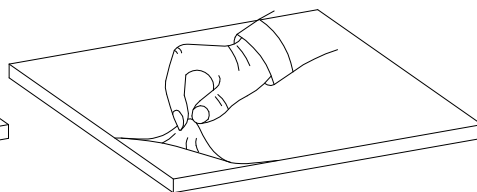
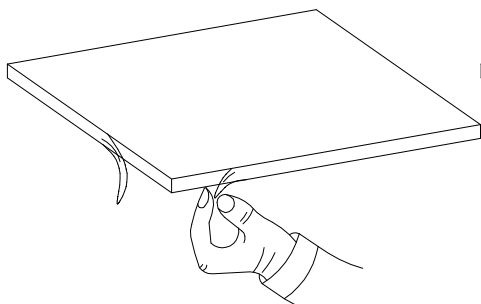
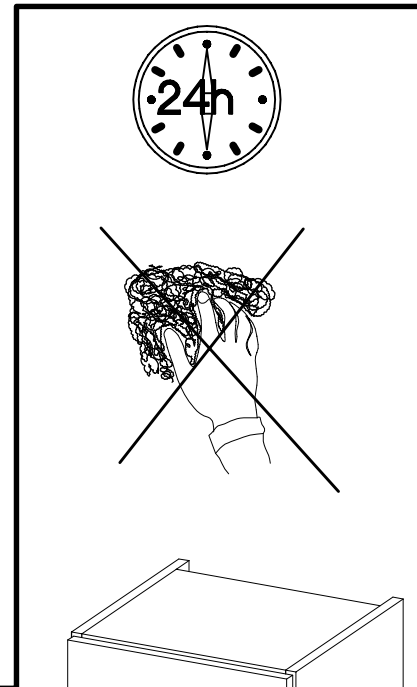
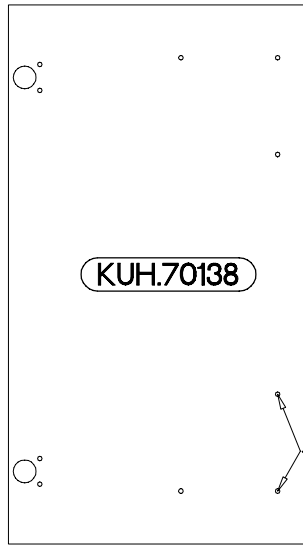
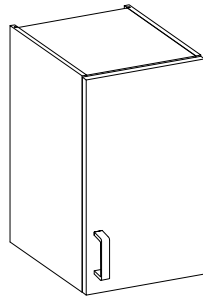
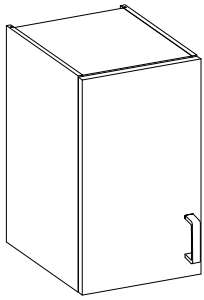
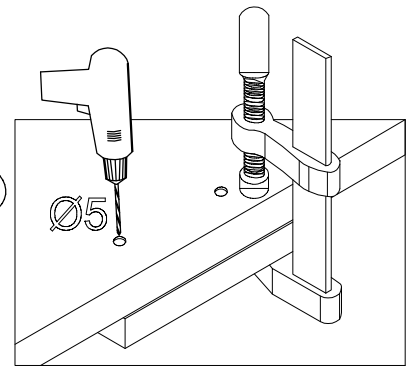
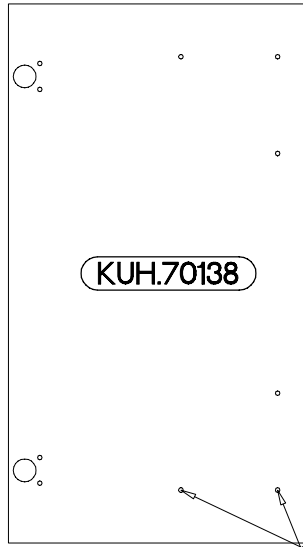
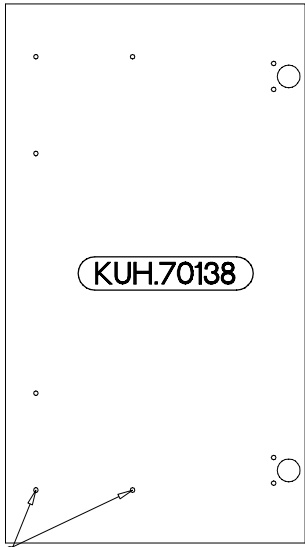
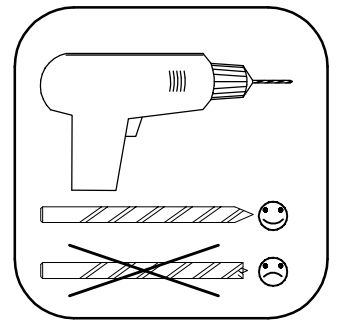
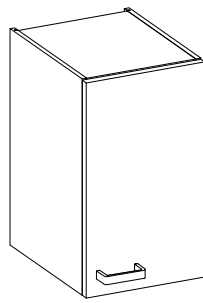
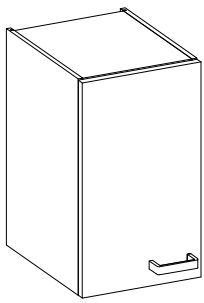



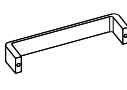
SHOP



7





M4x22mm		
2	U	S23
2		1

