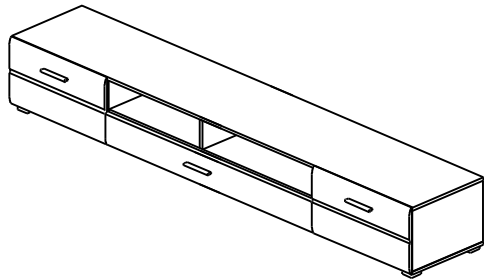
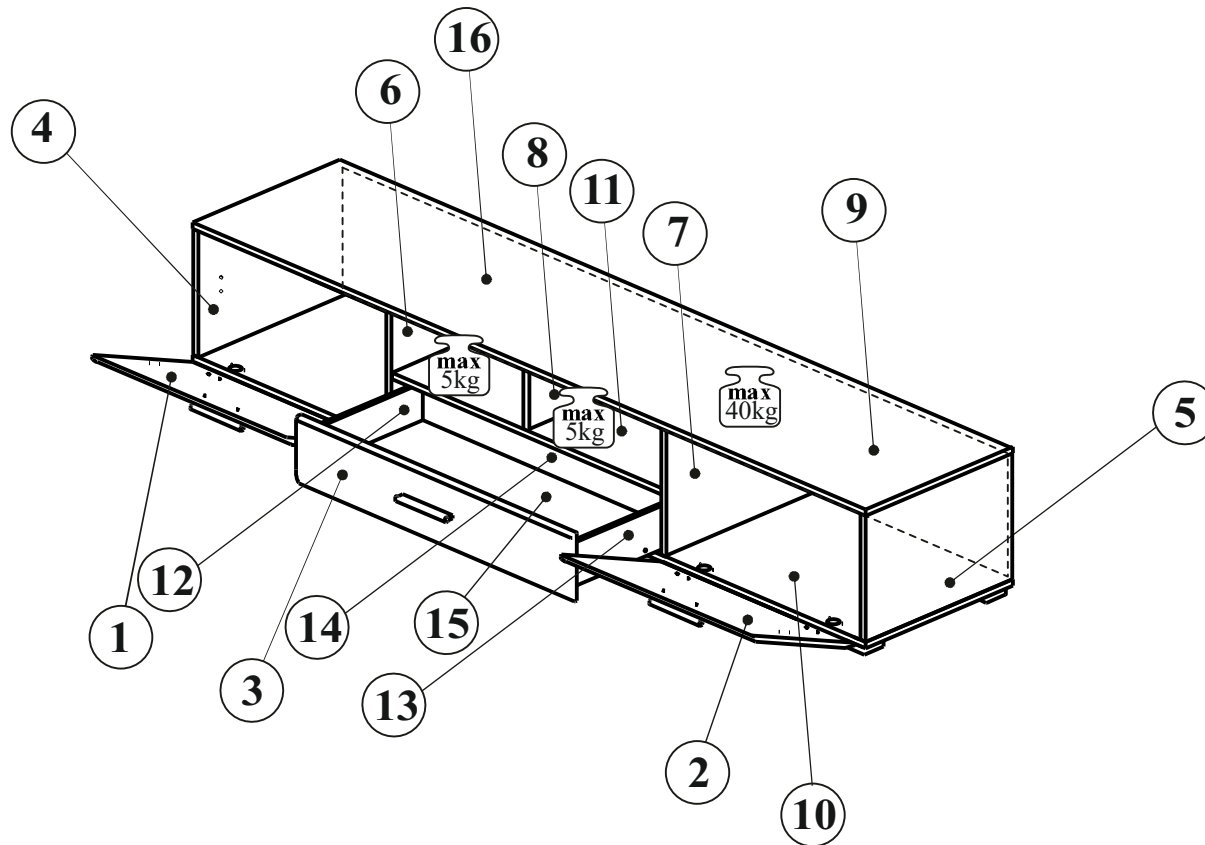


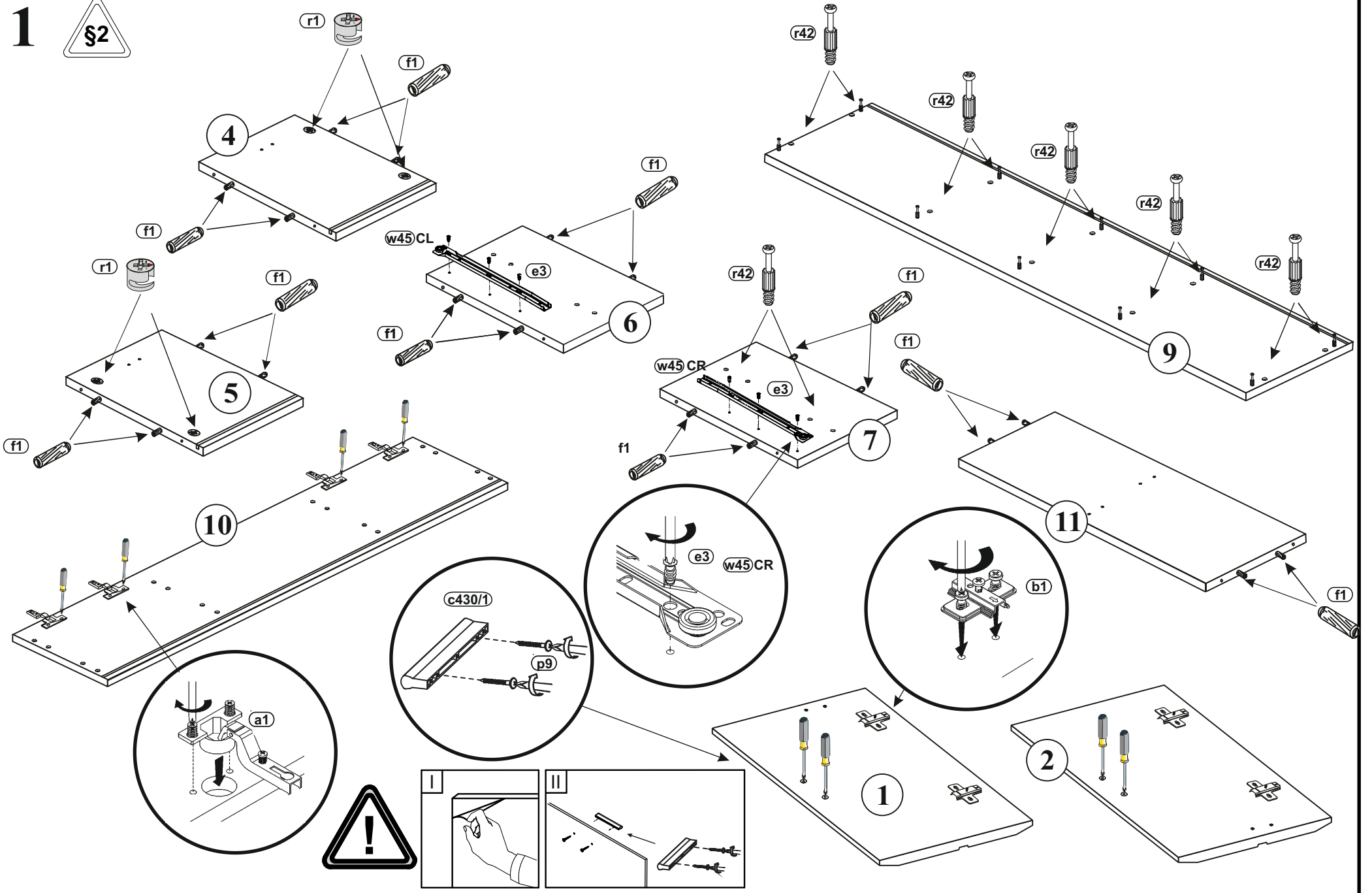
2x $\text{o}43/1$		1x $\text{o}43/6$														4x K16 a1		4x b1		8x K0 a44					
8x D5 b19		7x c430/1		16x D5 D1 d1		8x D3 d3		32x D1 e1		2x D2 e2		6x D3 e3		4x D5 e5		4x D4 e4		4x D9 e19		48x f1		4x D5 f25		8x D5 f35	
2x g2		10x EX k55		30x I2		2x L-236 m3		2x D1 D1 n14		2x n165\L		2x n165\P		12x o1		2x silikon o21		14x D5 p9		4x D5 p17		28x D5 p21		2x D5 p25	
22x D5 p38		6x D5 p44		16x D5 p51		4x D5 p75		26x D5 r1		26x D5 r42		21x s2		1x D5 t19		1x D5 w45^{CR}		1x D5 w45^{CL}		1x D5 w45^{DL}		1x D5 w45^{DR}		1x z1	

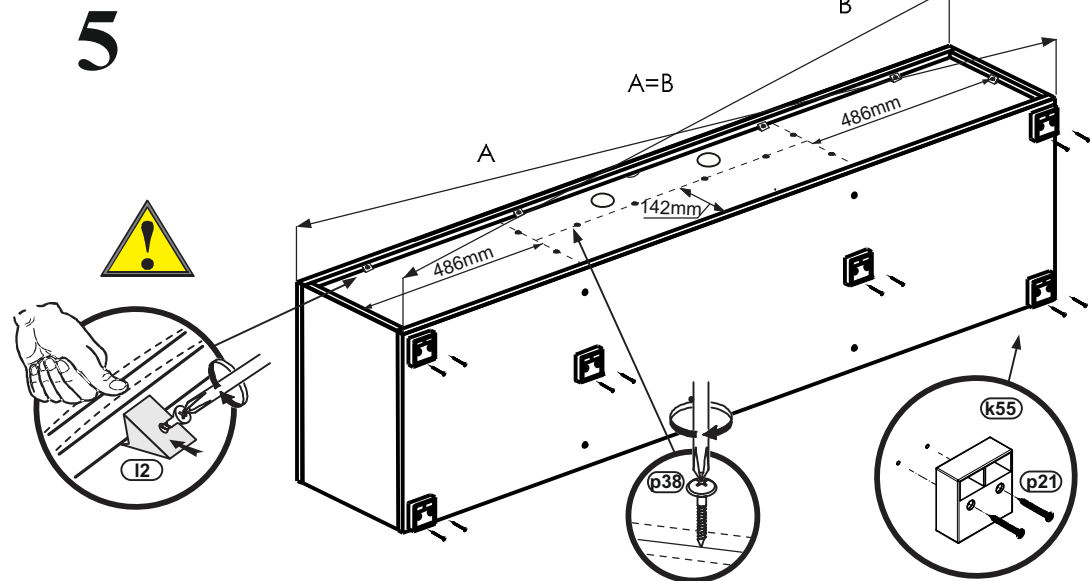
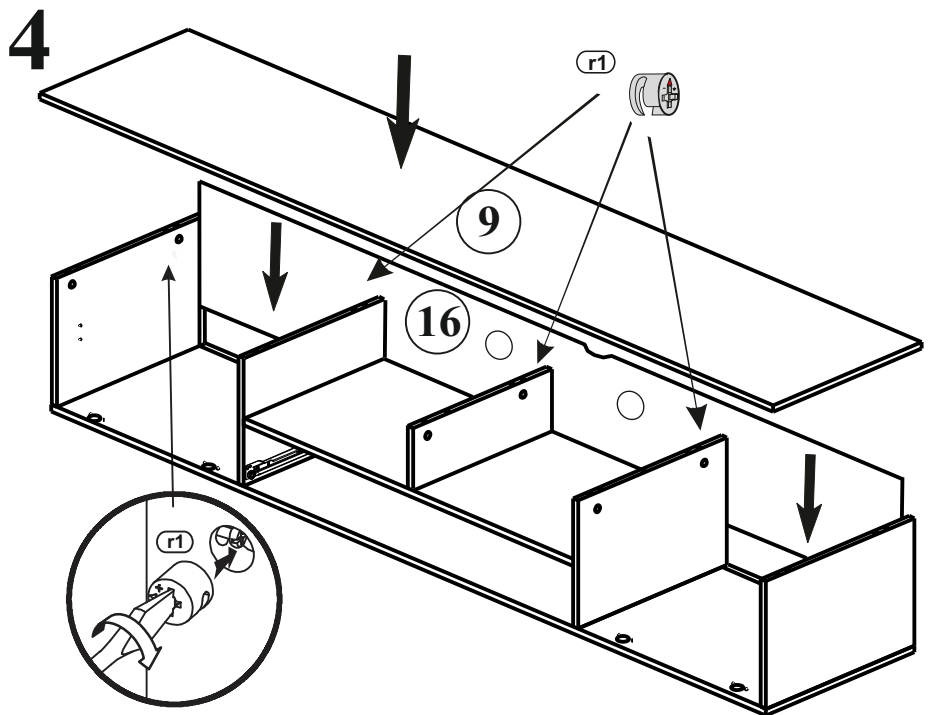
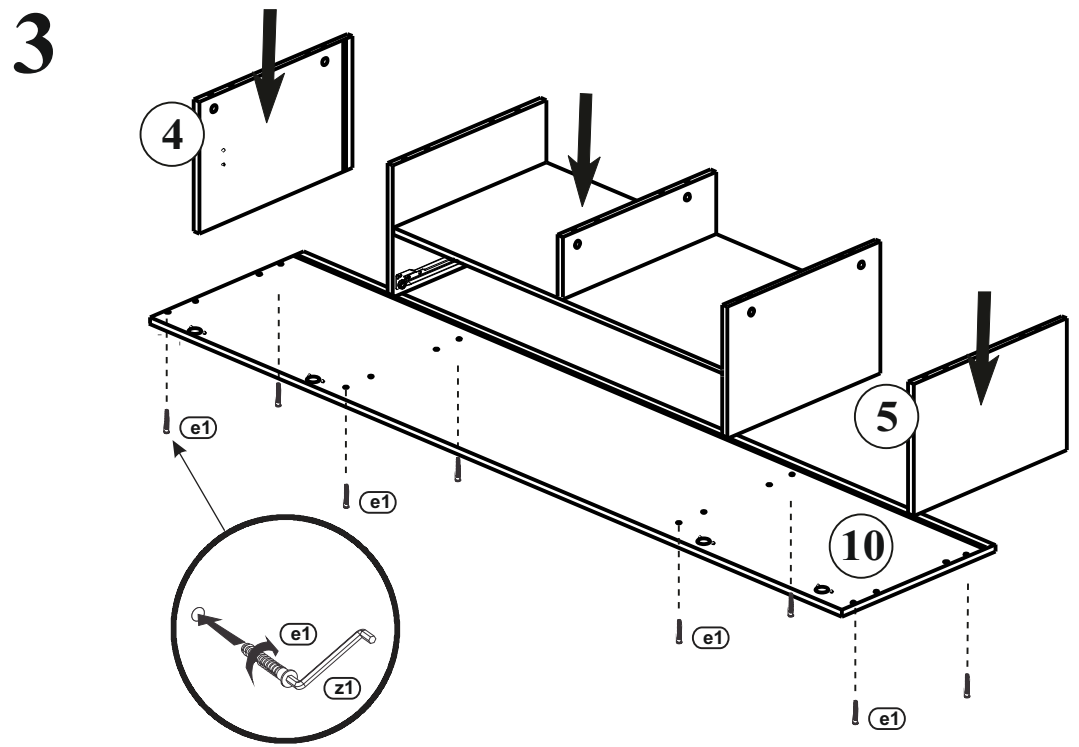
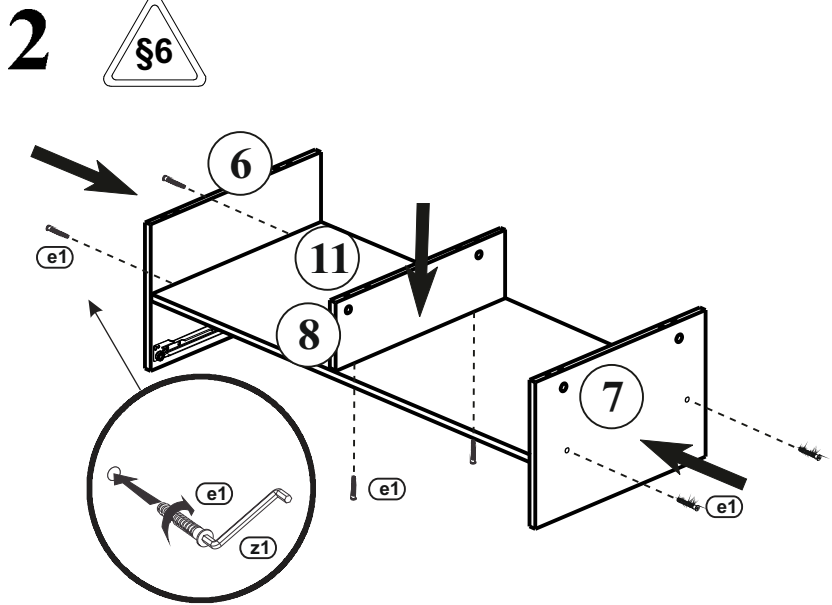


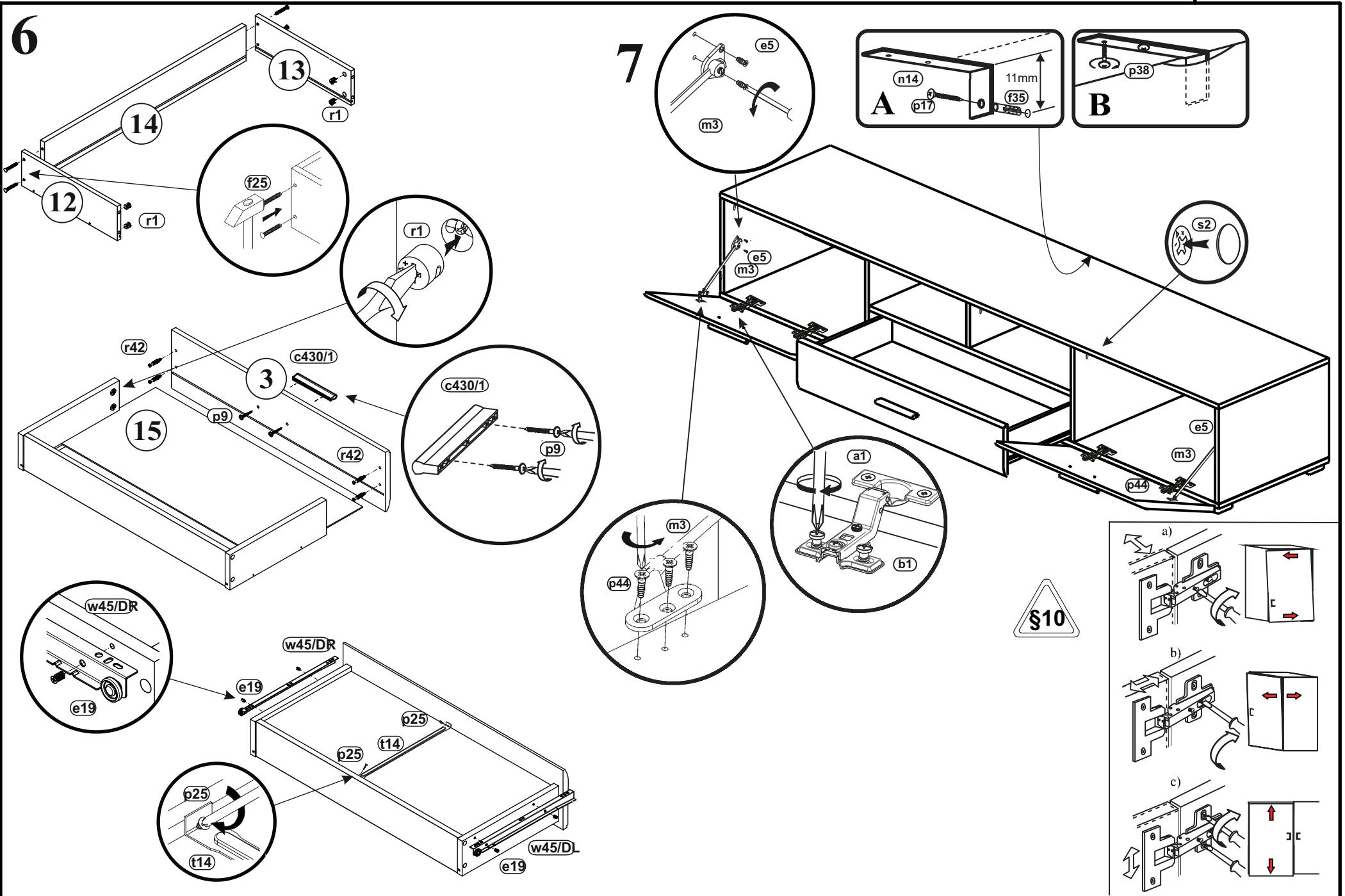
A	B	C (mm)		D
1	N25-001	498	311	1/5
2	N25-002	498	311	1/5
3	N25-003	991	156	1/5
4	N37-102	285	384	1/5
5	N37-103	285	384	1/5
6	N37-104	285	364	1/5
7	N37-105	285	364	1/5
8	N37-106	135	364	1/5
9	N37-203	2000	384	1/5
10	N37-204	2000	384	1/5
11	N37-302	979	364	1/5
12	N37-501	350	90	1/5
13	N37-502	350	90	1/5
14	N25-503	922	90	1/5
15	N37-902	932	350	1/5
16	N37-903	1977	295	1/5

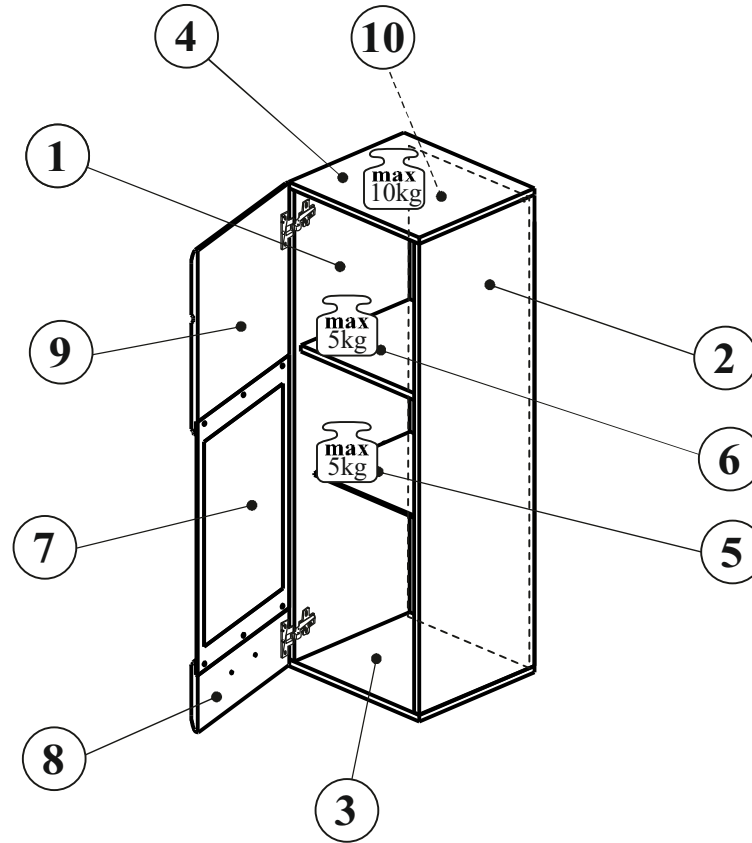
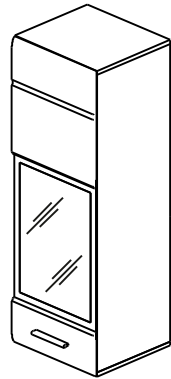


1





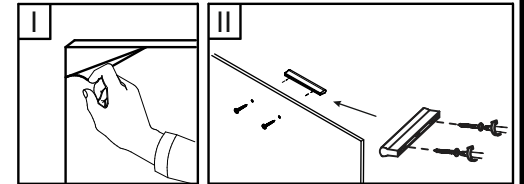
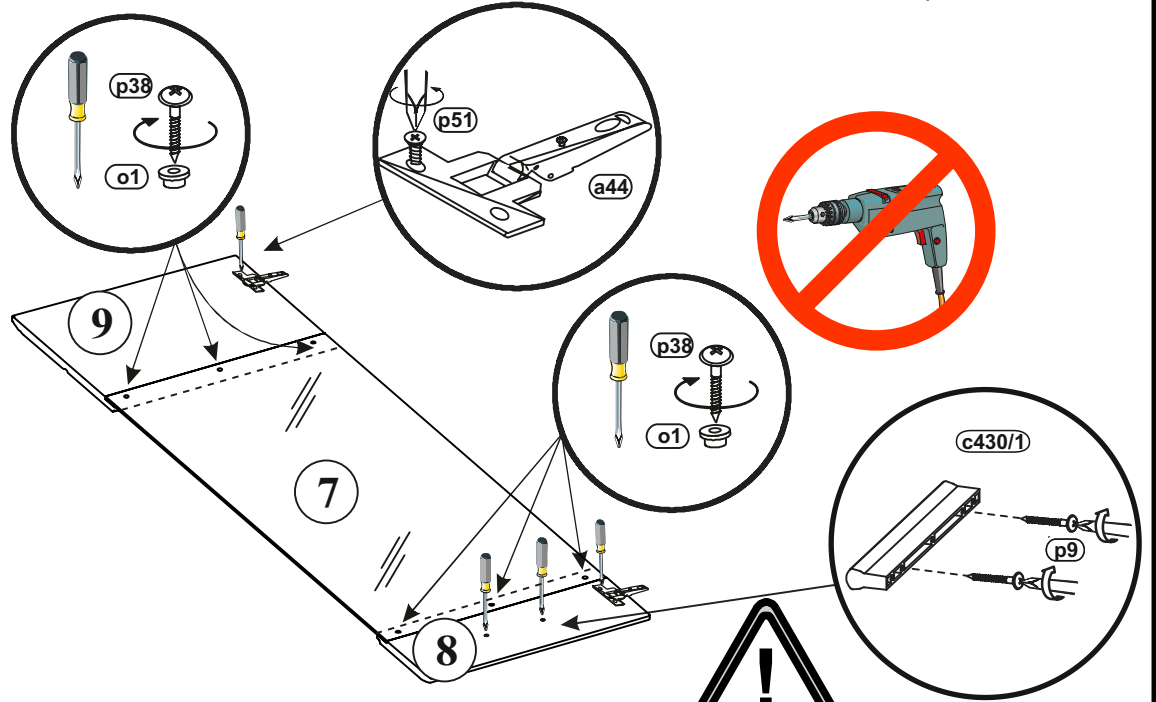
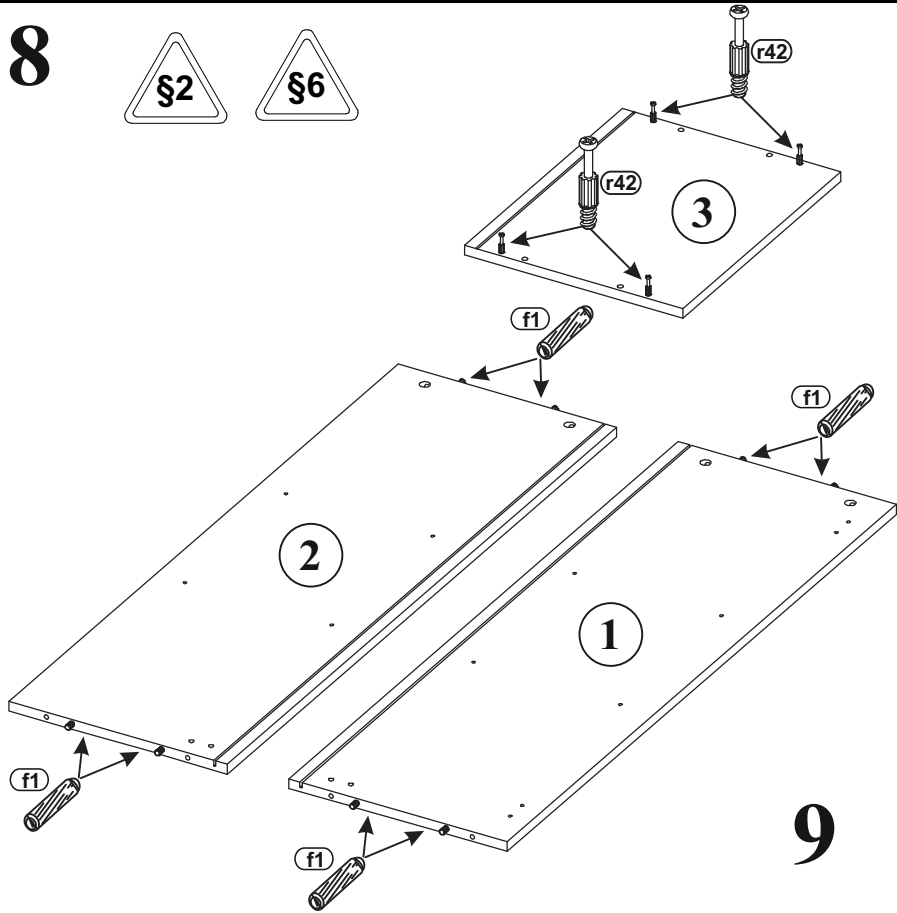




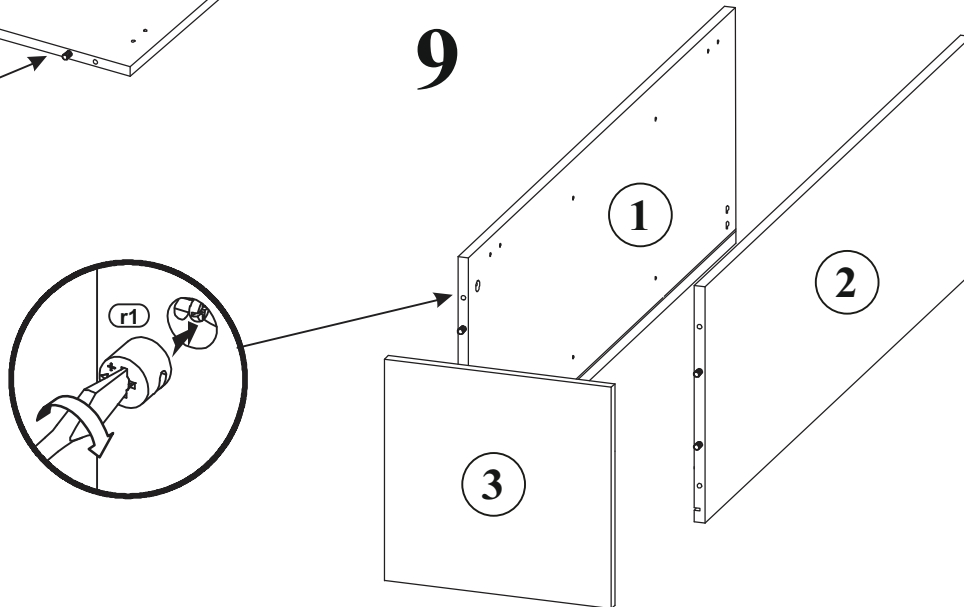
A	B	C (mm)		D
1	N20-107	1068	337	3/5
2	N20-108	1068	337	3/5
3	N20-204	380	337	3/5
4	N20-205	380	337	3/5
5	N25-504	346	292	3/5
6	N20-303	347	312	3/5
7	N20-504	556	374	3/5
8	N20-701	375	156	3/5
9	N20-702	375	442	3/5
10	N20-904	1078	357	3/5



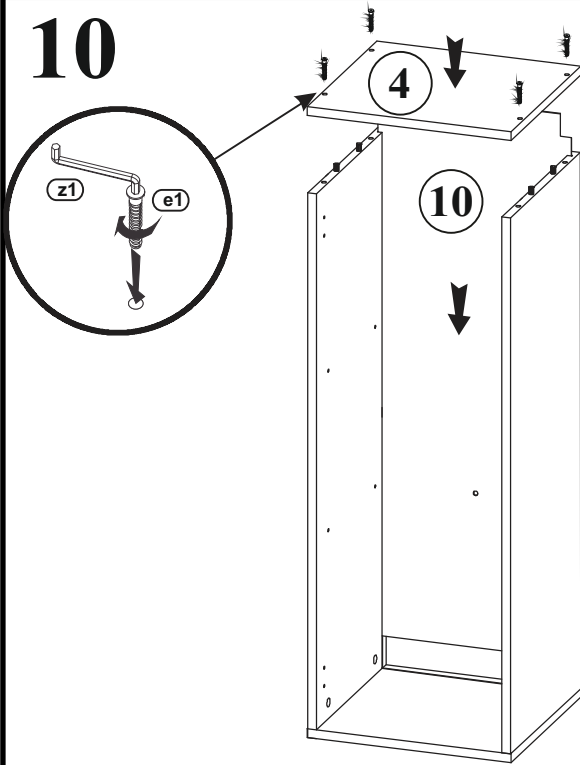
8



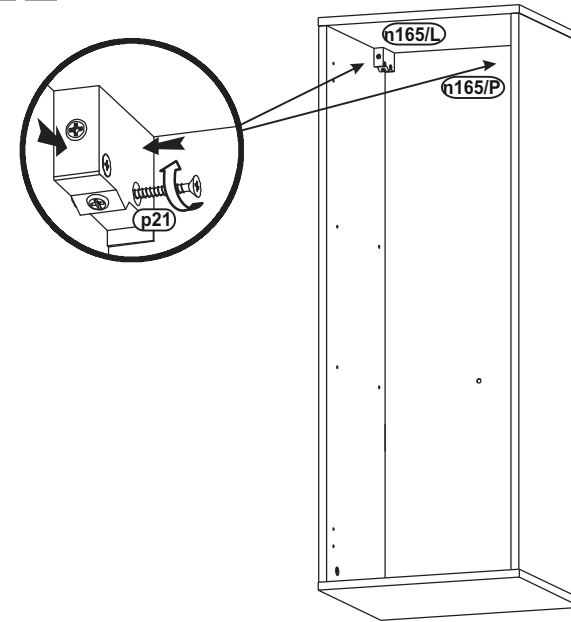
9



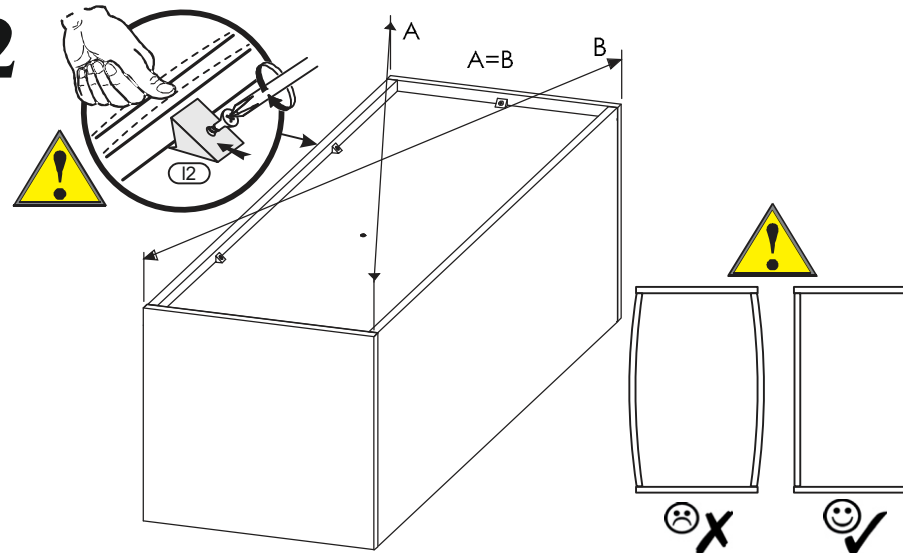
10



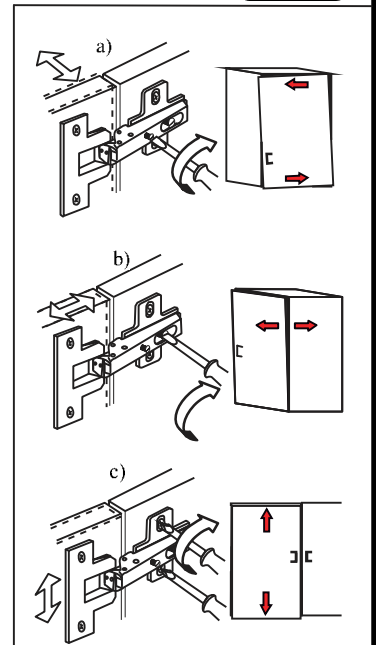
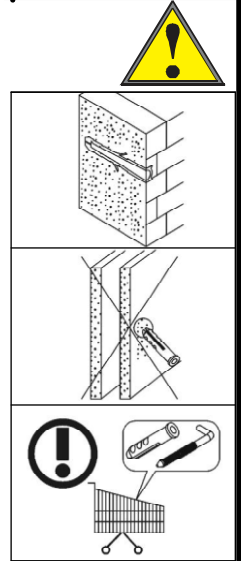
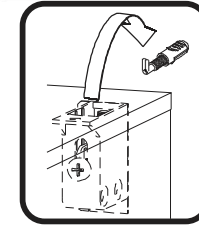
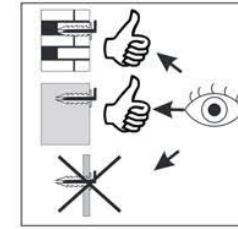
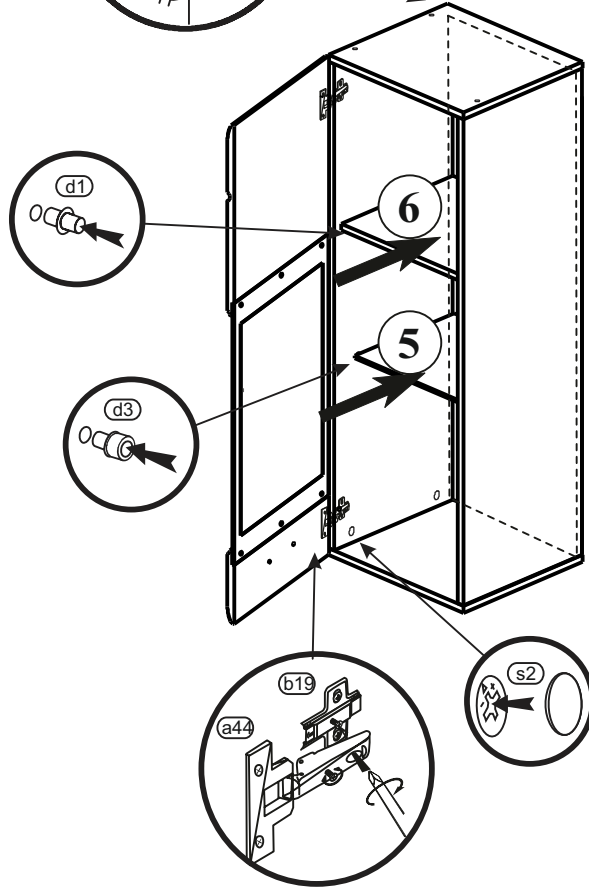
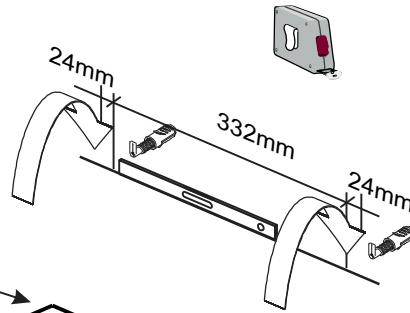
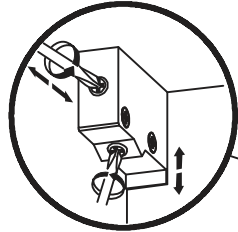
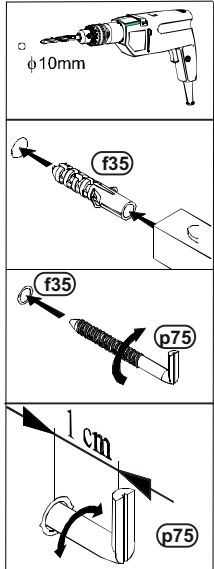
11

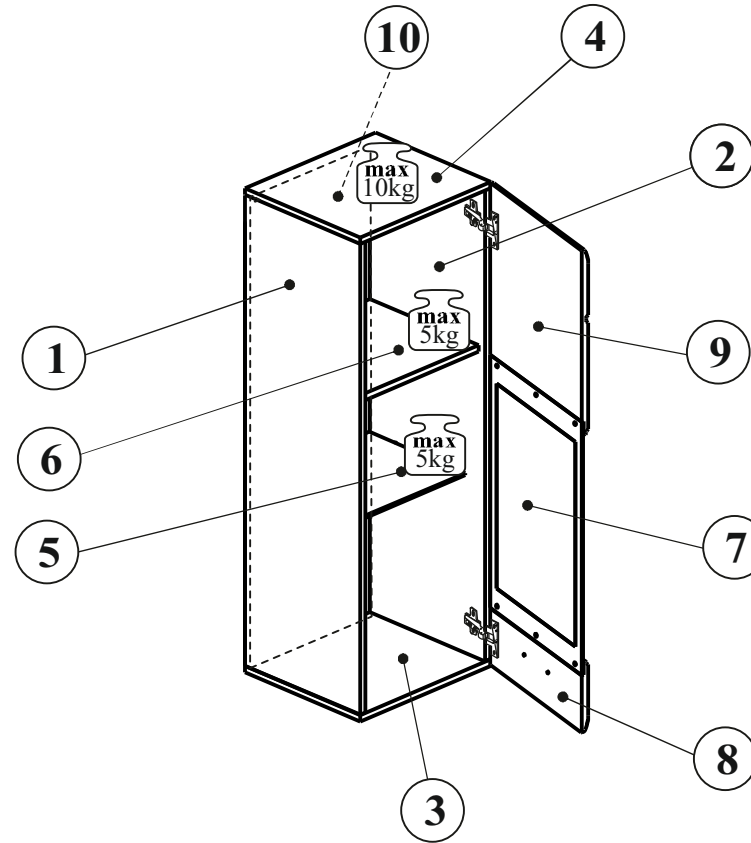
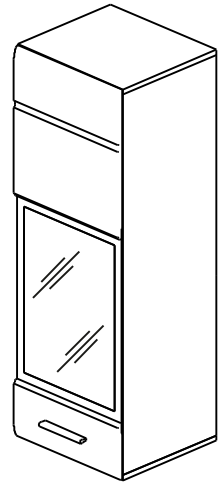


12



13

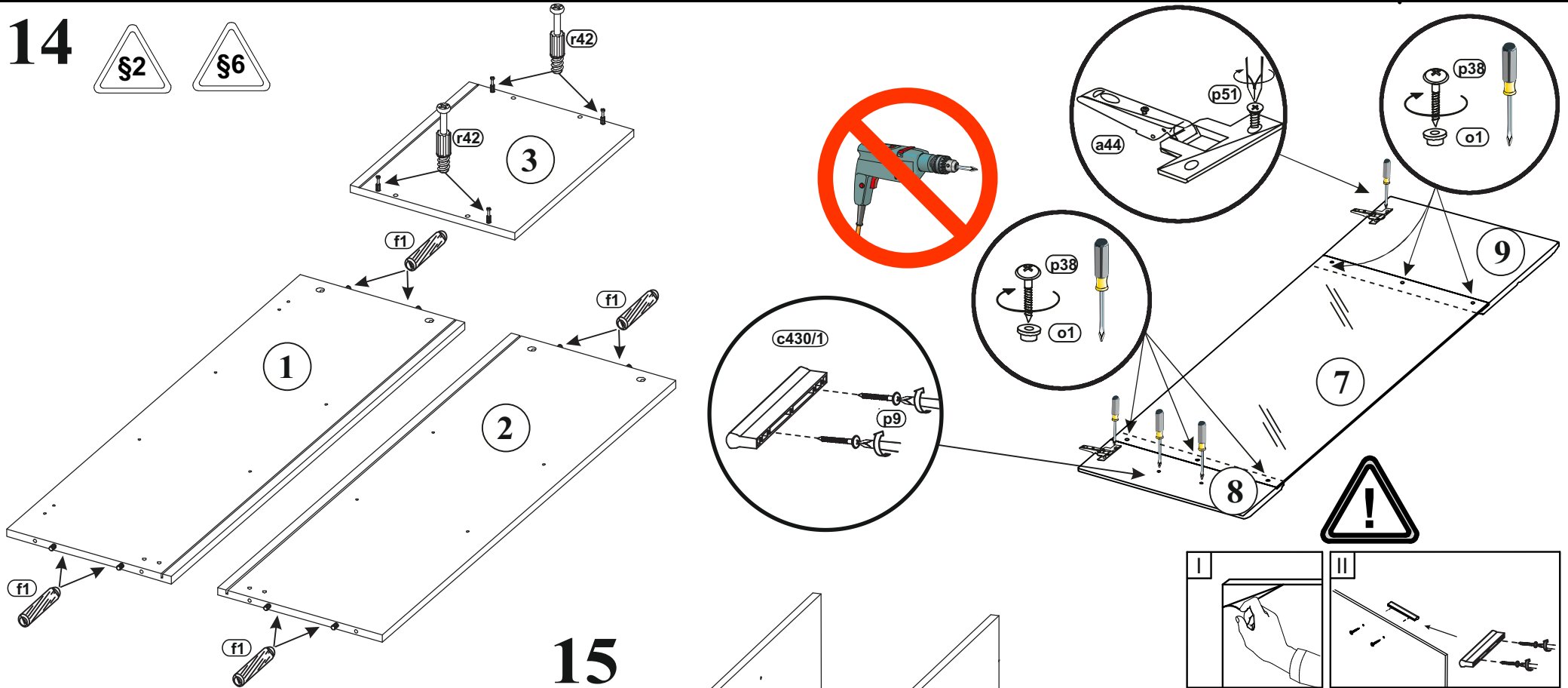




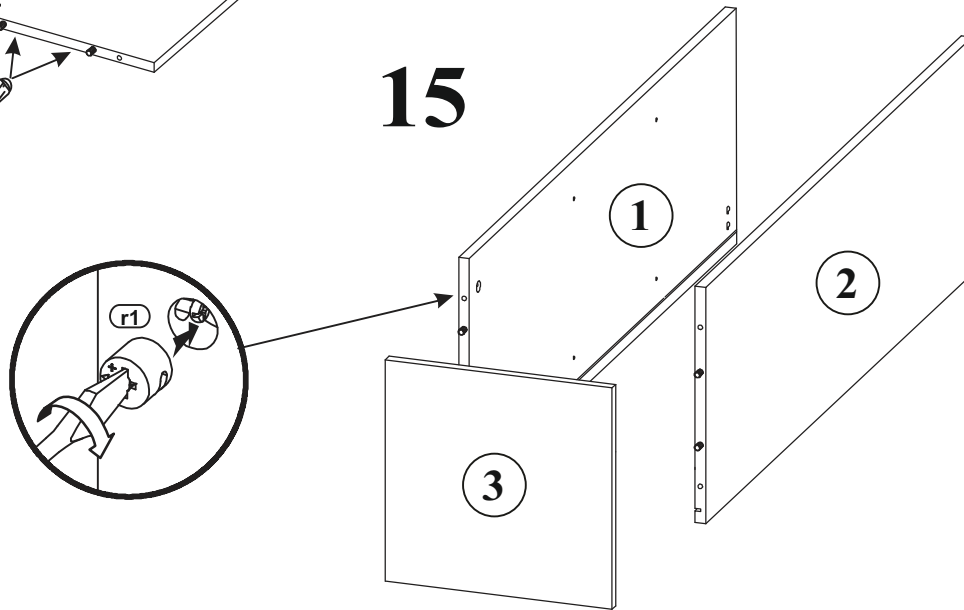
A	B	C (mm)		D
1	N20-110	1068	337	4/5
2	N20-109	1068	337	4/5
3	N20-204	380	337	4/5
4	N20-205	380	337	4/5
5	N25-504	346	292	4/5
6	N20-303	347	312	4/5
7	N20-504	556	374	4/5
8	N20-704	375	156	4/5
9	N20-703	375	442	4/5
10	N20-904	1078	357	4/5



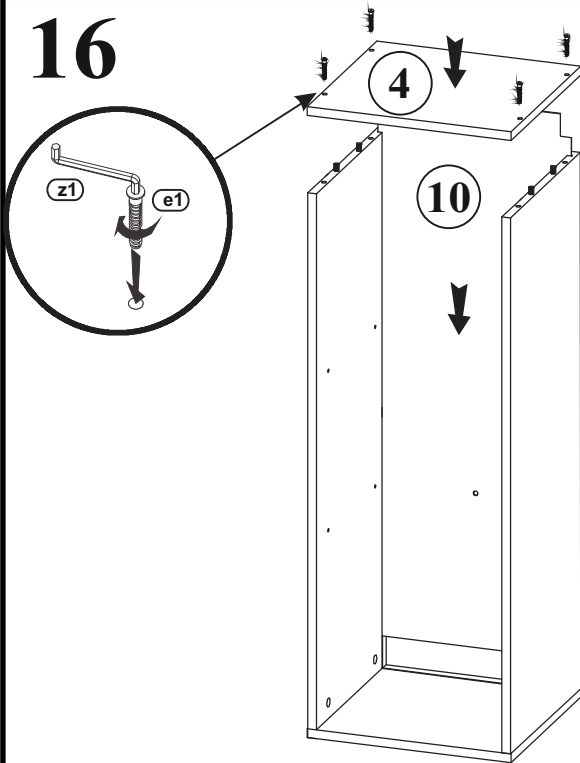
14



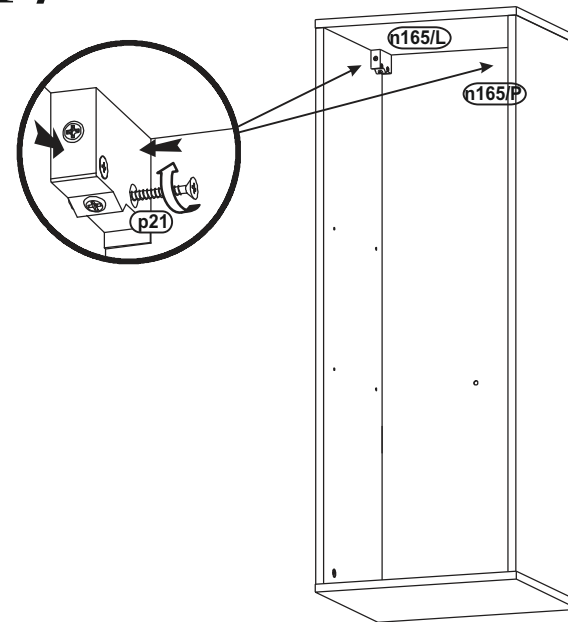
15



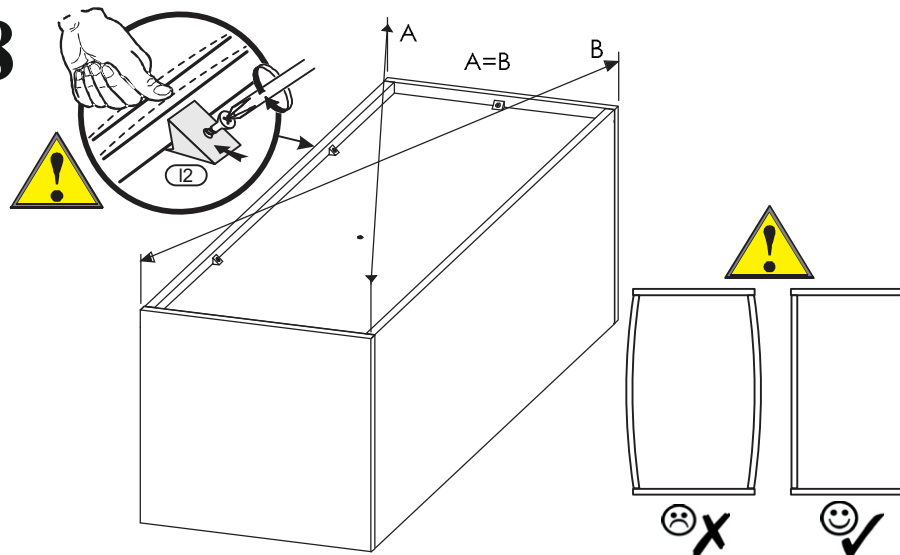
16



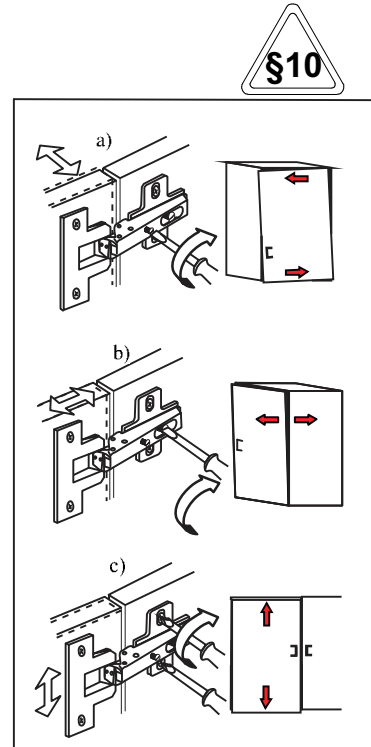
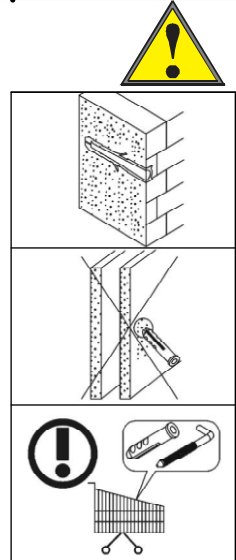
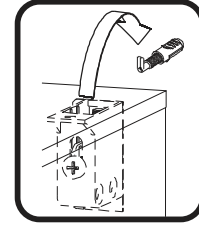
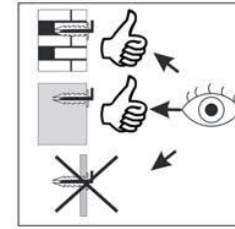
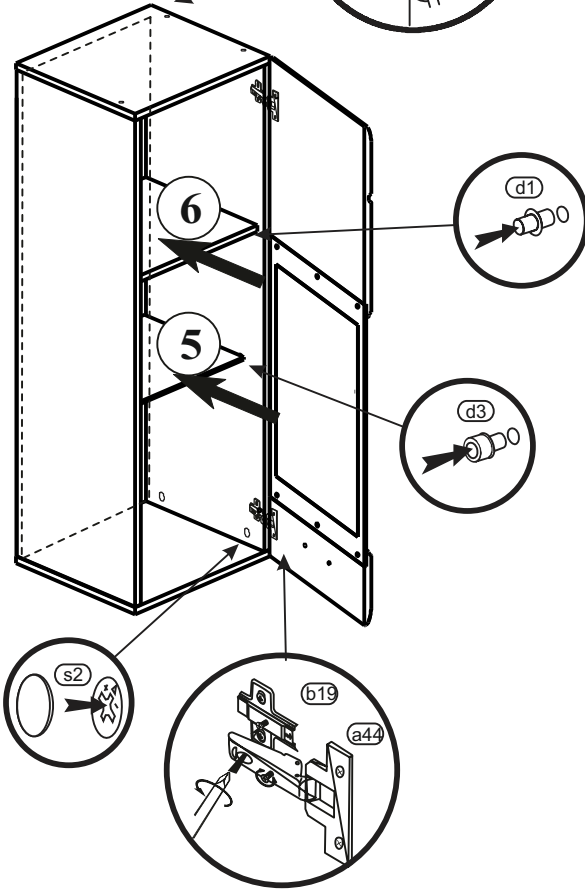
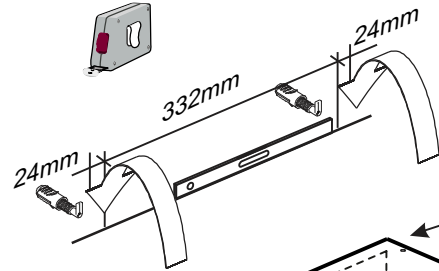
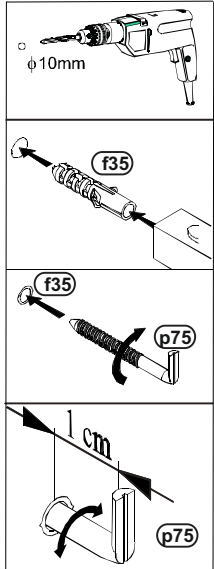
17

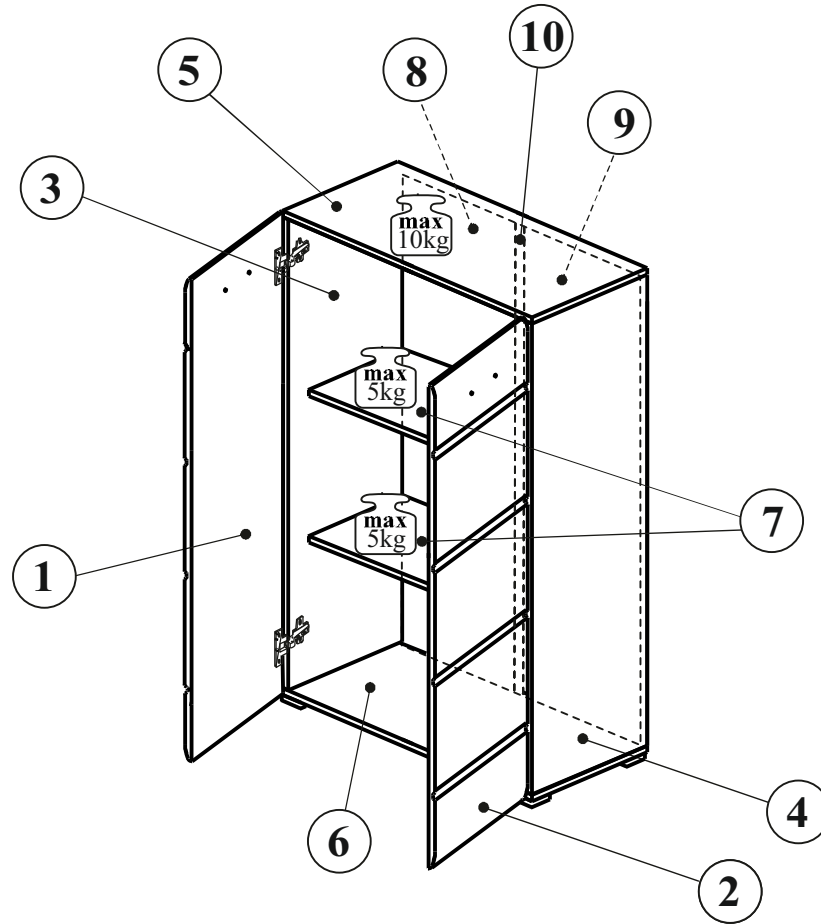
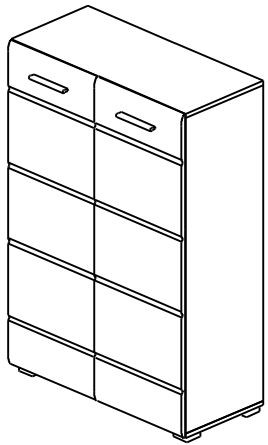


18



19

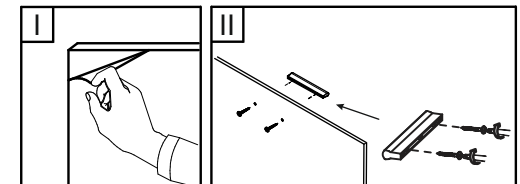
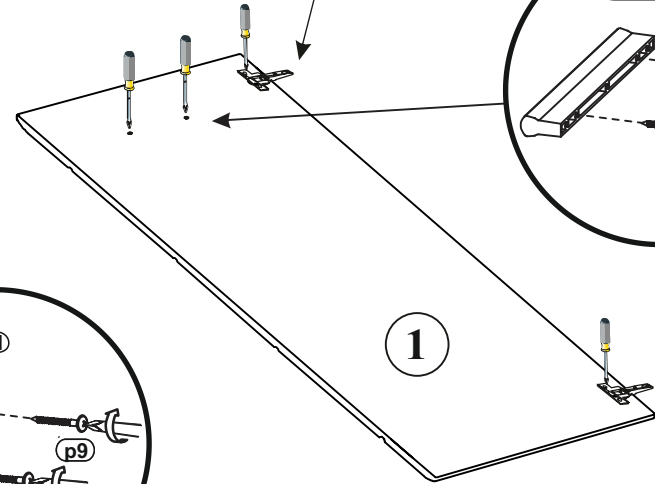
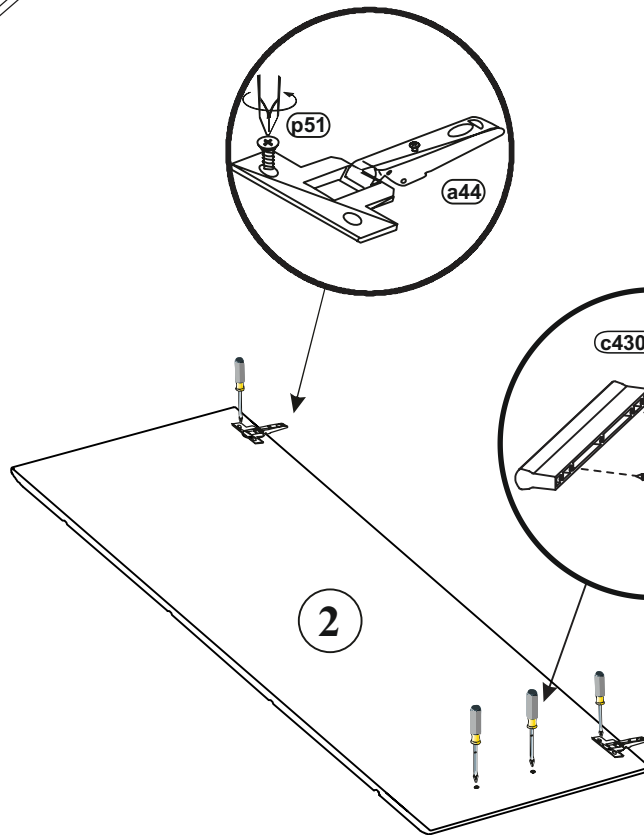
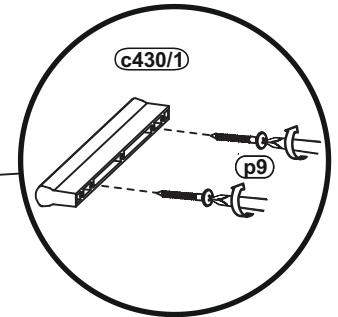
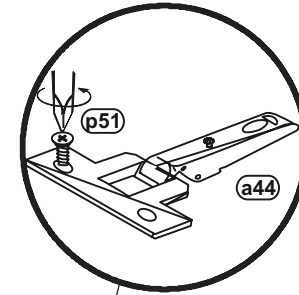
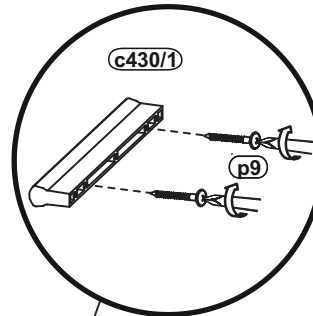
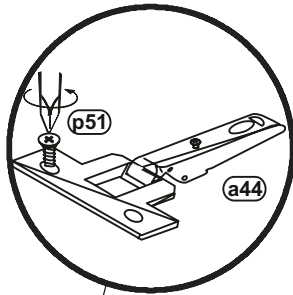
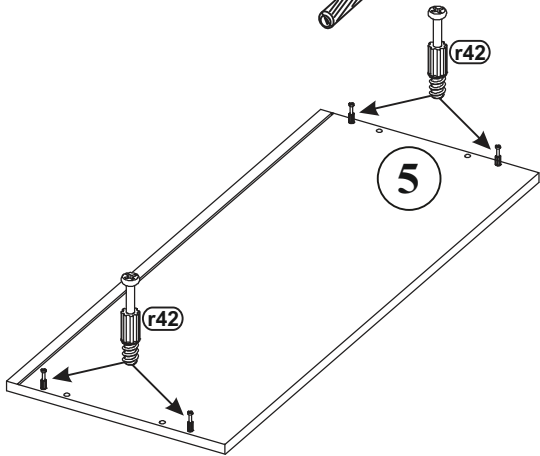
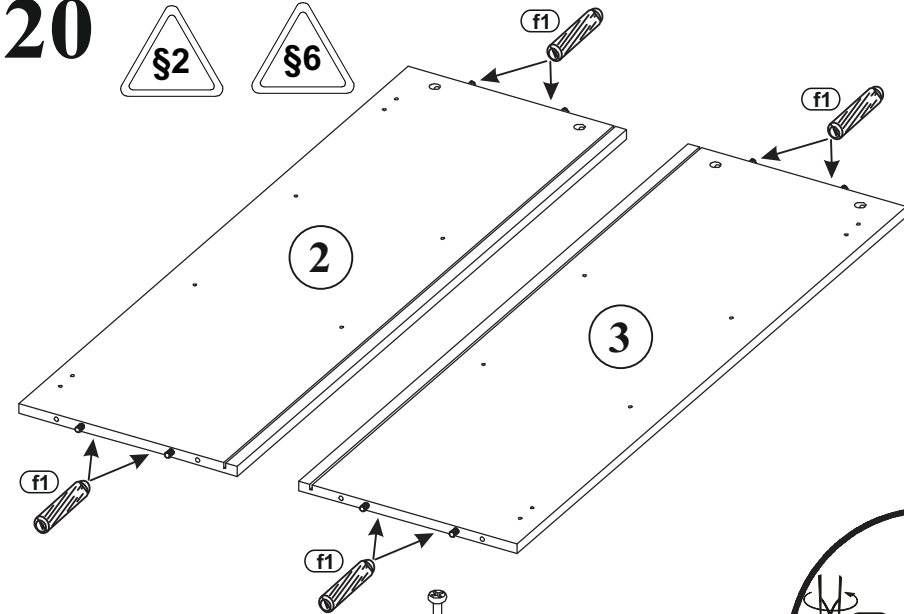


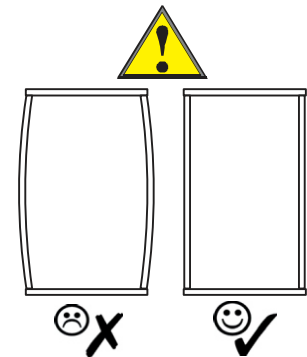
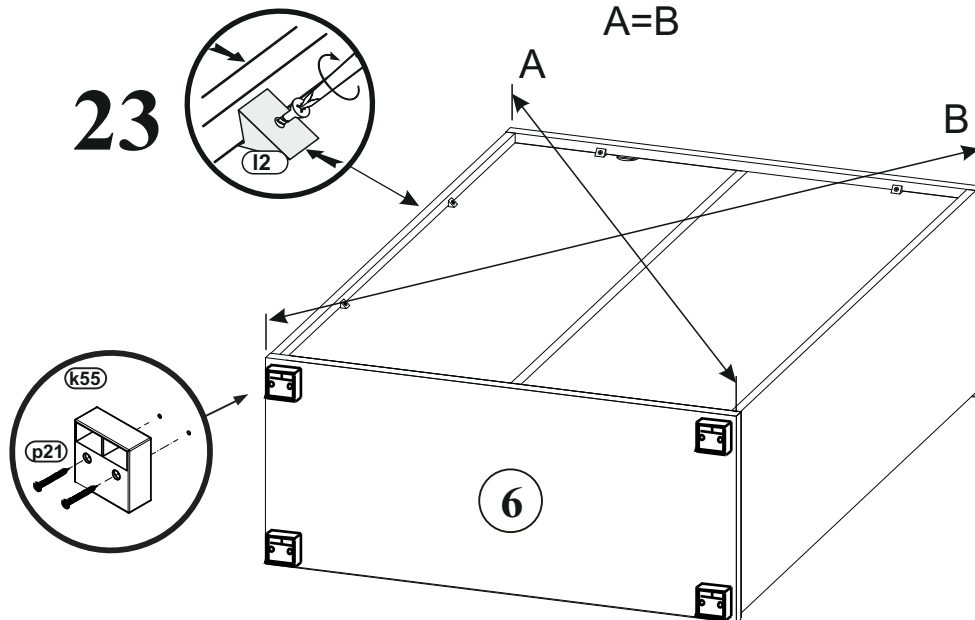
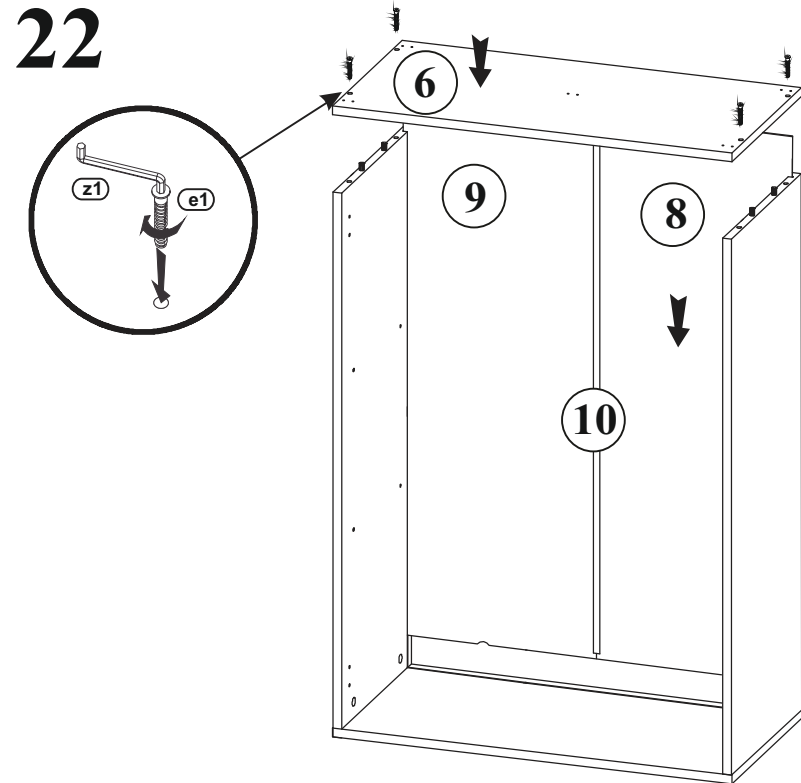
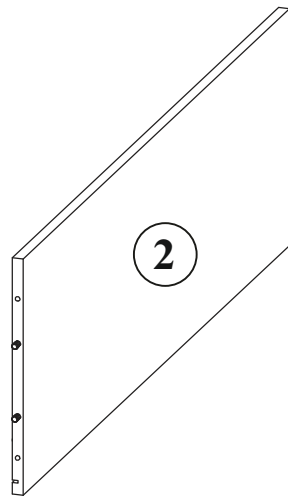
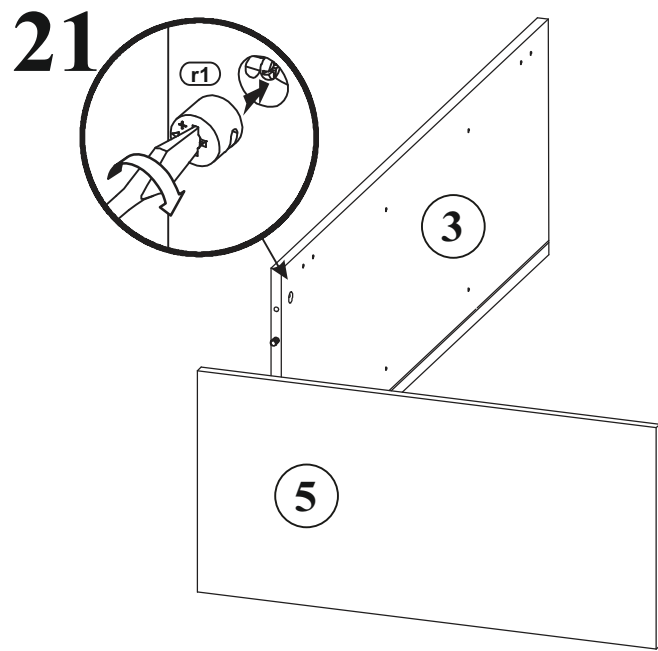


A	B	C (mm)		D
1	N37-001	1094	373	2/5
2	N37-002	1094	373	2/5
3	N37-101	1068	337	2/5
4	N37-107	1068	337	2/5
5	N37-201	756	337	2/5
6	N37-202	756	337	2/5
7	N37-301	723	312	2/5
8	N37-901	1078	366	2/5
9	N25-905	1078	366	2/5
10	Lh-1060	1060	14	2/5

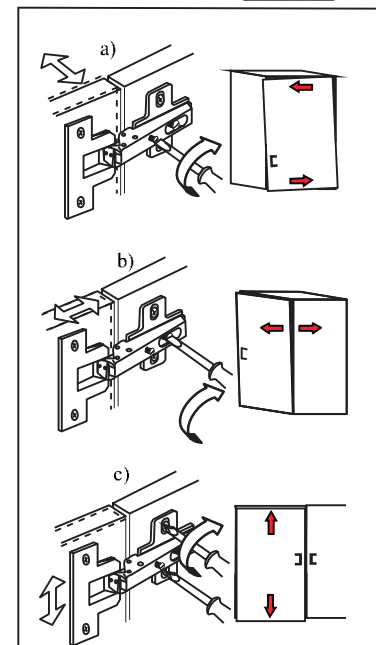
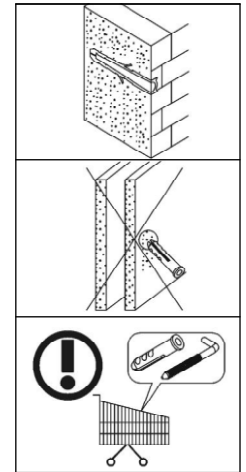
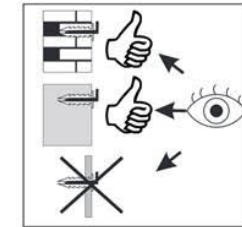
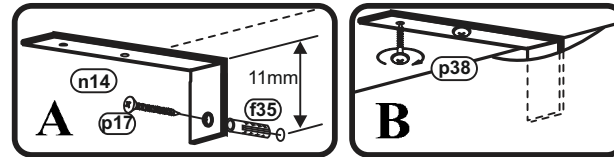
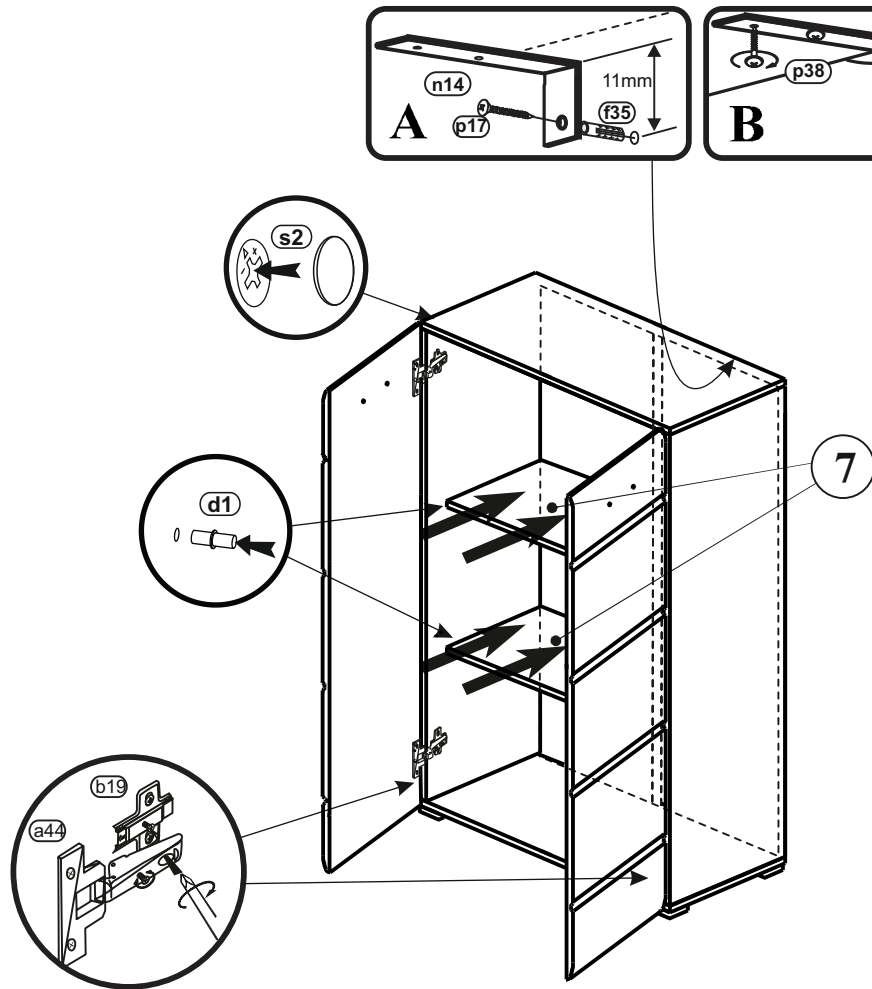
IV

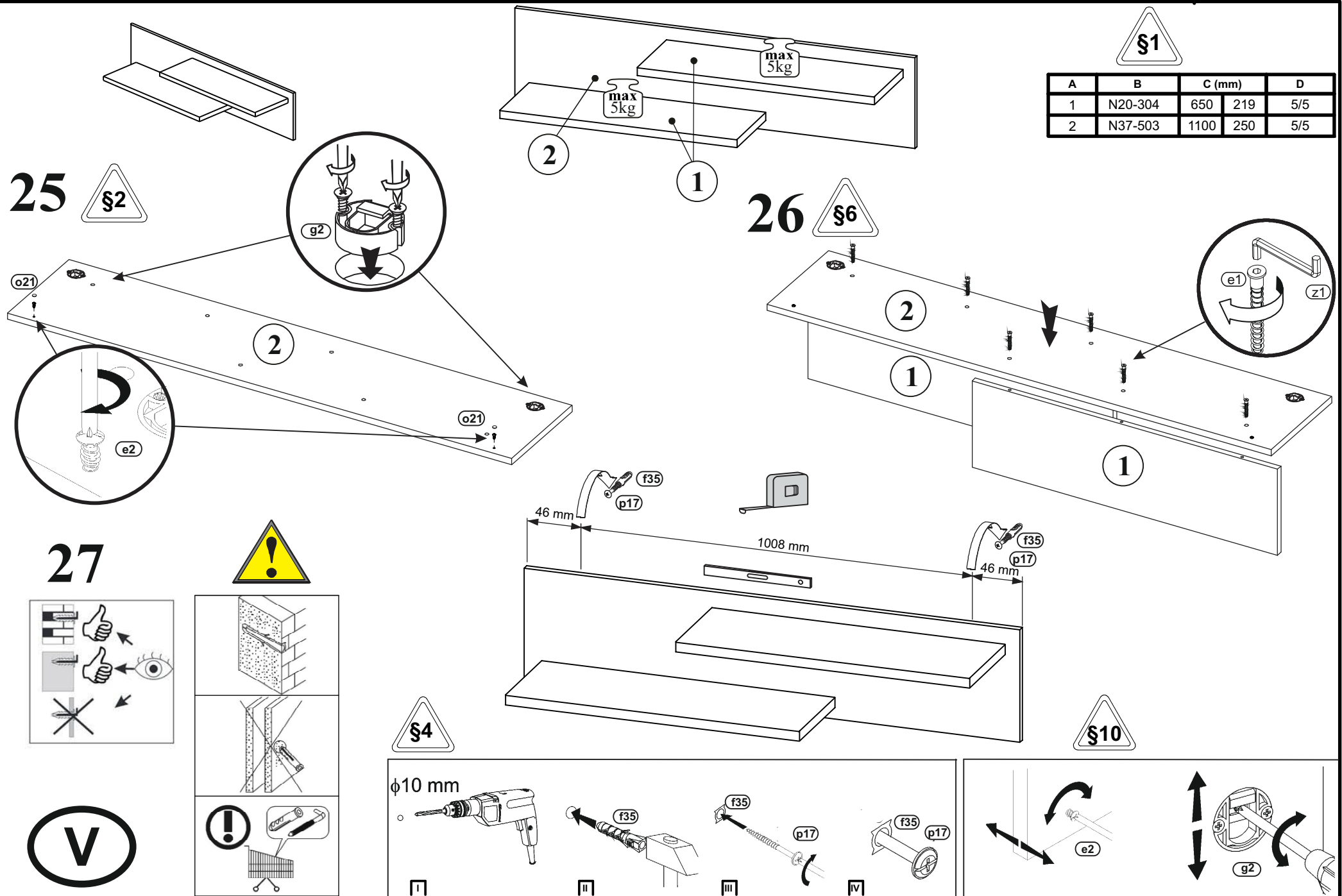
20



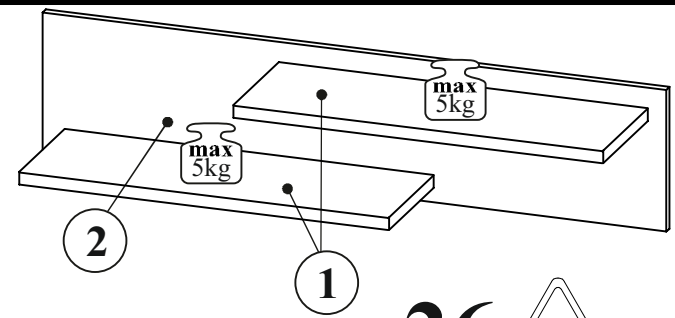


24





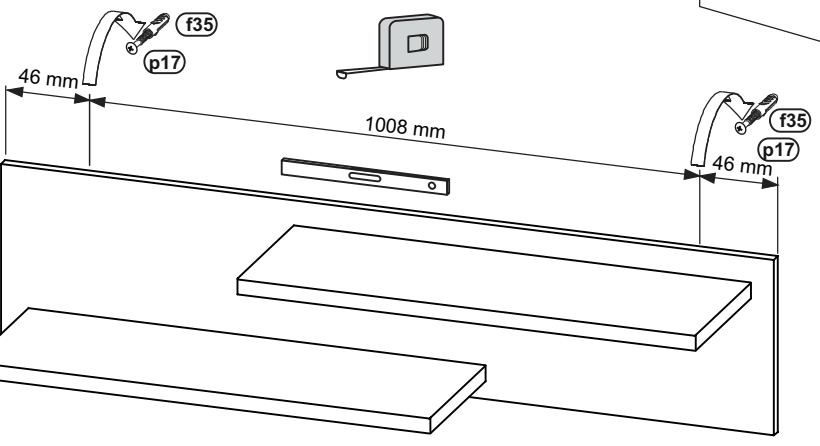
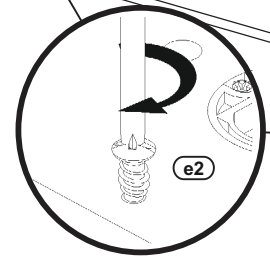
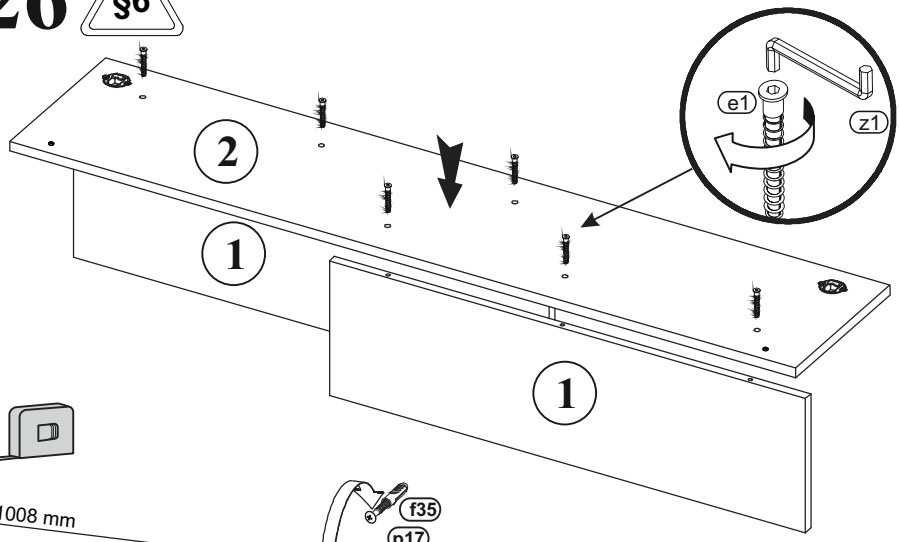
25 §2



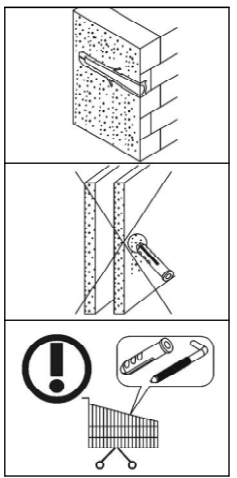
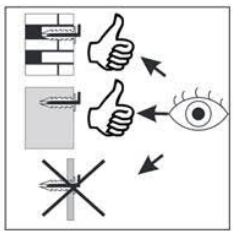
§1

A	B	C (mm)		D
1	N20-304	650	219	5/5
2	N37-503	1100	250	5/5

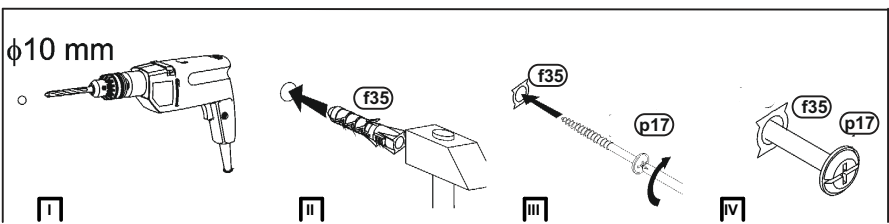
26 §6



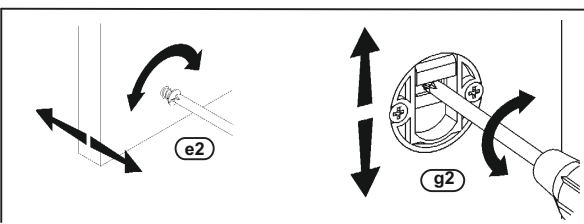
27



§4



§10



28

